

8

7

6

5

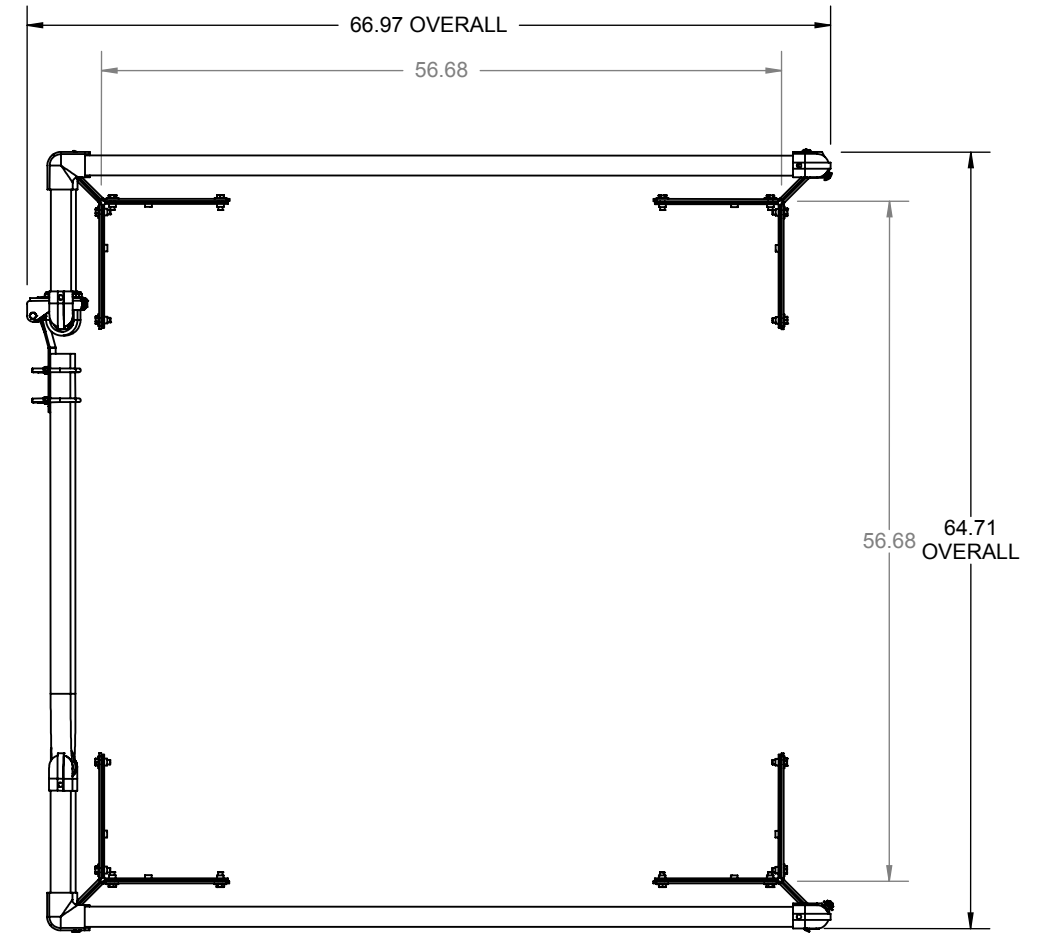
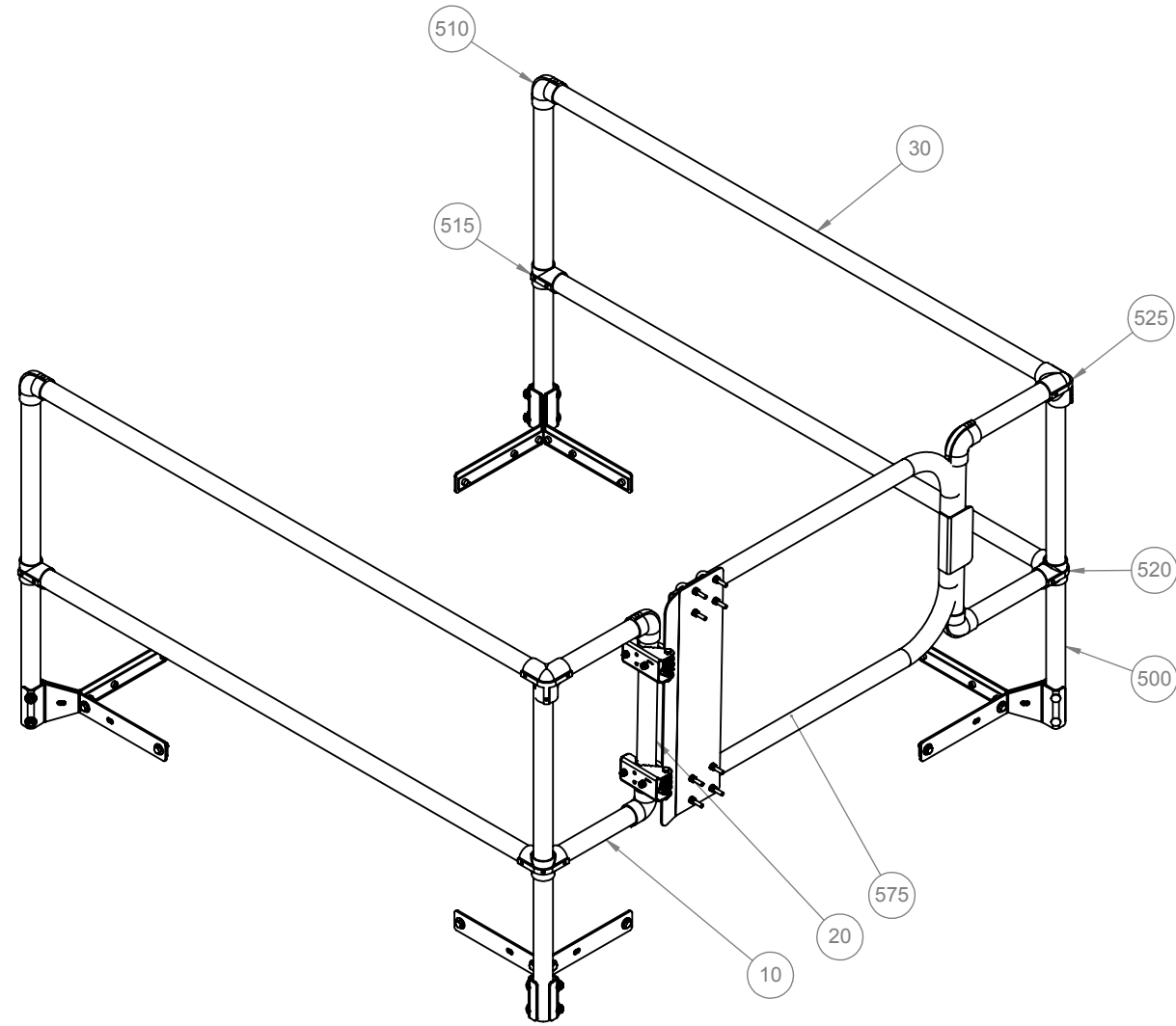
4

3

2

1

ITEM NO.	PART NUMBER	QTY.	DESCRIPTION
10	27496-10.50-Y	4	RAIL, 1-1/4" X 10.50L,
20	27496-18.00-Y	2	RAIL, 1-1/4" X 18.00L,
30	27496-60.50-Y	4	RAIL, 1-1/4" X 60.50L,
500	27180-A-Y	4	PKG, CORNER POST, ZPS,
510	27185	6	FTG, ELBOW,
515	27188	2	FTG, TEE,
520	27186	2	FTG, CROSS ELBOW,
525	27231	2	FTG, DBL TEE,
575	SRCA-GATE-30	1	GATE, 30,



SPECIFICATIONS

RAILS, POSTS: 6061 T6 ALUMINUM ALLOY 1 /14" I.D. SCH 40

GATE: 1 1/4" TUBULAR ALUMINUM SELF CLOSING WITH COIL SPRING, ZINC PLATED

COUNTERFLASH MOUNTING BRACKETS: 3/16" ZINC PLATED STEEL FASTENED TO STEEL BACKING PLATE

BOLTS: HEX HEAD BOLTS 3/8"-16 x 3/4" GRADE 5 ZINC PLATED

RAILING FITTINGS AND PLUGS: MANUFACTURER'S STANDARD CAST WITH SET SCREW HOLD

FITS HATCH SIZES UP TO 48" X 48"

CERTIFICATIONS: MEETS OSHA 29 CFR 1910.28 AND 1910.29 REQUIREMENTS FOR FALL PROTECTION; SUPPORTS 200 LBS. FORCE.

FINISH: SAFETY YELLOW POWDER COAT

SRBAY48X48FG



9300 73rd Avenue North
Minneapolis, MN 55428

TITLE:
Safety Railings for Roof Hatch
48X48, Front Exit, Therm-Brokn
Aluminum, Safety Yellow Pwd, Gate, 3" Curb

NAME	DATE	SIZE	DWG. NO.	REV
DRAWN	SJB	TODAY	B SRBAY48X48FG	A
RELEASED	DWO	1/4/2019	WEIGHT: Weight	SHEET 1 OF 1

8

7

6

5

4

3

2

1