

8

7

6

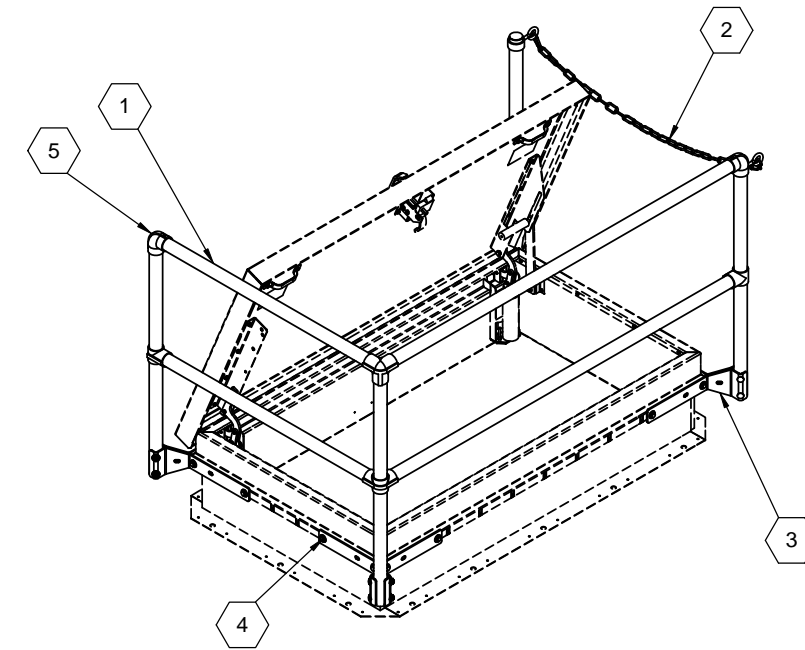
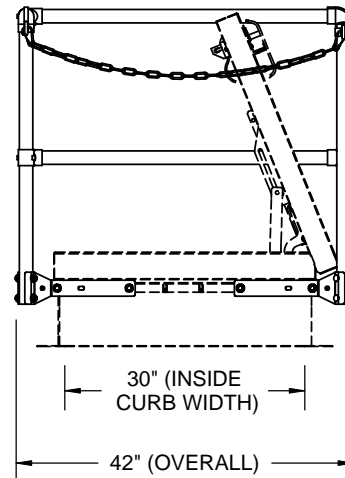
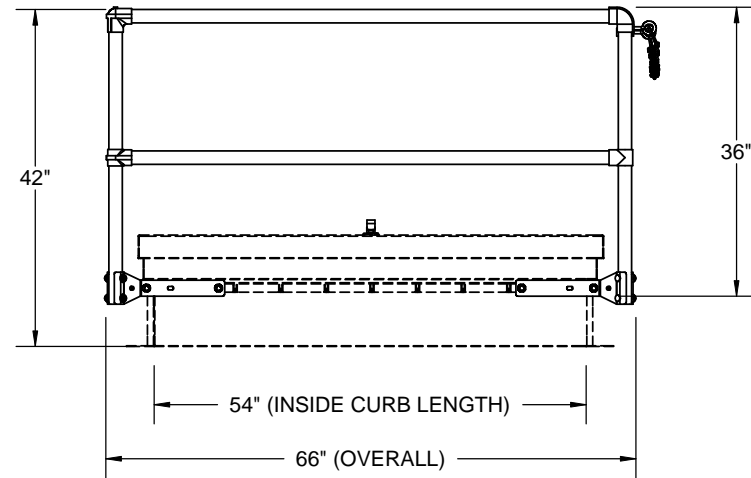
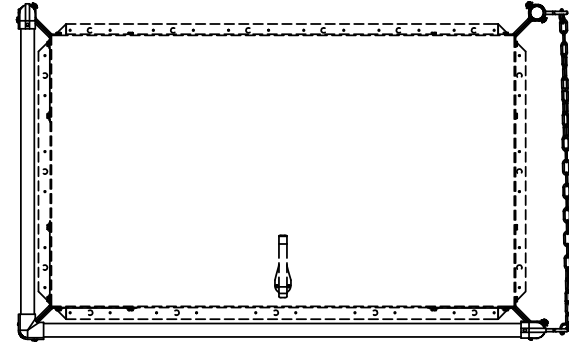
5

4

3

2

1



(HATCH SHOWN FOR ILLUSTRATIVE PURPOSES ONLY)

SPECIFICATIONS

- 1 RAILS, POSTS: GALVANIZED PIPE 1 1/4" I.D. SCH 40 A53 GRADE B SEAMED STEEL
- 2 CHAIN: ZINC PLATED WITH SPRING CLIPS
- 3 COUNTERFLASH MOUNTING BRACKETS: 3/16" ZINC PLATED STEEL FASTENED TO STEEL BACKING PLATE
- 4 BOLTS: HEX HEAD BOLTS 3/8"-16 x 3/4" GRADE 5 ZINC PLATED
- 5 RAILING FITTINGS AND PLUGS: MANUFACTURER'S STANDARD CAST WITH SET SCREW HOLD

FITS HATCH SIZES UP TO 30" X 54", FOR SMALLER HATCH SIZES CUT RAILS TO LENGTH IN FIELD

CERTIFICATIONS: MEETS OSHA 29 CFR 1910.23 GUARDING FOR OPENINGS REQUIREMENTS; SUPPORTS 200 LBS. FORCE

PATENT PENDING

| | | | | | |
|---|--|--|---|----------------|---------|
| 9300 73rd Avenue North Minneapolis, MN 55428 | | | TITLE: Safety Railings for Roof Hatch 30x54, Side Exit, Sngl Door Steel, Galvanized, Chains | | |
| | | | NAME: DKL | DATE: 10/06/09 | SIZE: B |
| DRAWN | | | WEIGHT: 509.00 | | |
| RELEASED | | | SHEET 1 OF 2 | | |

8

7

6

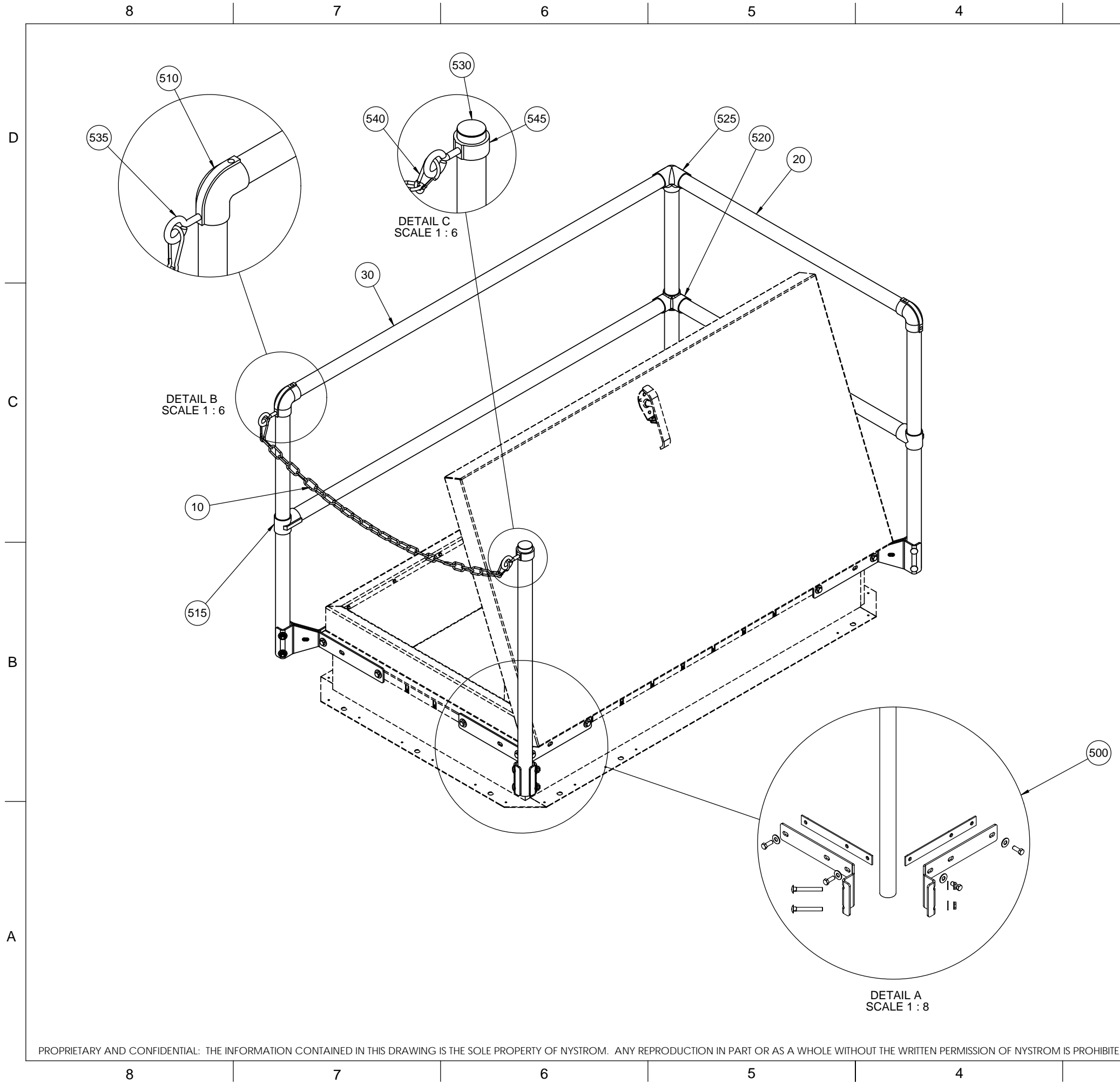
5

4

3

2

1



| ITEM NO. | PART NUMBER | DESCRIPTION | QUANTITY |
|----------|-------------|----------------------------|----------|
| 10 | 1985-36.00 | CHAIN, SAFETY, STL, ZPS | 1 |
| 20 | 27258-37.75 | RAIL, 1-1/4" X 37.75L, | 2 |
| 30 | 27258-61.50 | RAIL, 1-1/4" X 61.50L, | 2 |
| 500 | 27180 | PKG, CORNER POST, ZPS, | 4 |
| 510 | 27185 | FTG, ELBOW, | 2 |
| 515 | 27188 | FTG, TEE, | 2 |
| 520 | 27186 | FTG, CROSS ELBOW, | 1 |
| 525 | 27231 | FTG, DBL TEE, | 1 |
| 530 | 27189 | FTG, END CAP | 1 |
| 535 | 27260 | BOLT, LIFTING EYE, 3/8-16, | 2 |
| 540 | 27266 | SPRING, CLIP 2, ZINC | 2 |
| 545 | 27261 | FTG, No. 78 SHORT COLLAR, | 1 |

| | | | | |
|---|---|---|----------------|---------|
| 9300 73rd Avenue North Minneapolis, MN 55428 | | TITLE: Safety Railings for Roof Hatch 30x54, Side Exit, Sngl Door Steel, Galvanized, Chains | | |
| | | NAME: DKL | DATE: 10/06/09 | SIZE: B |
| RELEASED | - | - | WEIGHT: 509.00 | REV: A |
| | | | SHEET 2 OF 2 | |

PROPRIETARY AND CONFIDENTIAL: THE INFORMATION CONTAINED IN THIS DRAWING IS THE SOLE PROPERTY OF NYSTROM. ANY REPRODUCTION IN PART OR AS A WHOLE WITHOUT THE WRITTEN PERMISSION OF NYSTROM IS PROHIBITED.