

SunLit™

ROOF HATCH

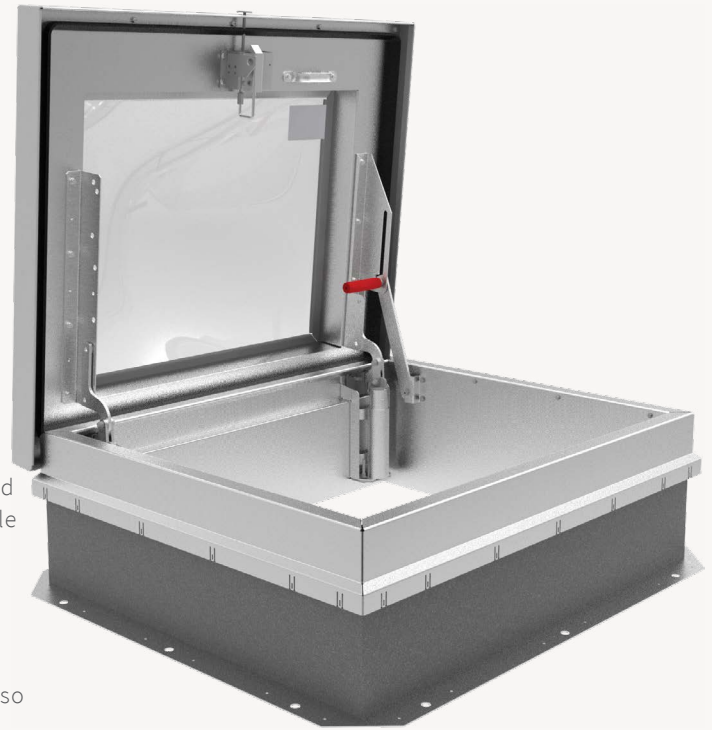
Providing natural daylighting, the SunLit Roof Hatch is engineered with a translucent dome cover that is ideal for use in commercial buildings, retail, schools and more.

FEATURES

POLYCARBONATE DOME Add the traditional look of a domed skylight with 1/8 inch thick UV coated polycarbonate available in clear, white or bronze colors.

OPTIONAL DOUBLE DOME Increase impact and thermal resistance with double glazed polycarbonate domes.

OPTIONAL INSULATION Add an additional 2 inches of polyiso insulation in the curb; specify -IRR.



DETAILS

COVER Formed aluminum, 11 gauge, mill finish, metal cover with 1/8 inch clear polycarbonate, UV coated dome

CURB Single wall curb with EZ tab counterflash and mounting flange

- Aluminum: 11 gauge, mill finish
- Steel: 14 gauge galvanized, ANSI 70 Gray powder coat

INSULATION 1 inch fiberglass in cover, 1 inch polyiso around curb

GASKET Extruded EPDM adhesive backed gasket seal continuous around cover

SPRING/HINGE ASSEMBLY Zinc plated steel tamper-proof hinges contained within spring assembly, includes steel compression springs

HOLD OPEN ARM Zinc plated steel automatic hold open arm with red vinyl grip handle locks cover in open position

LATCH Zinc plated steel latch:

- 20psf wind uplift for lengths ≤60 inch with slam latch
- 90psf wind uplift for lengths >60 inches with 2-point rotary latch

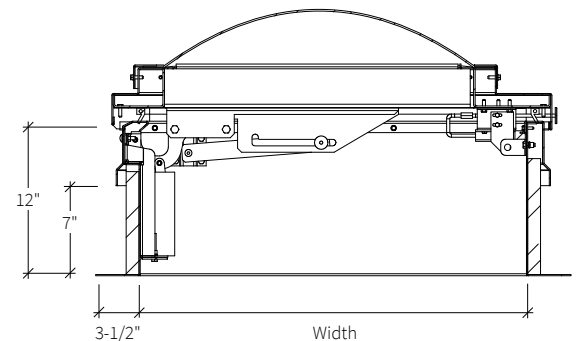
FINISHES



Mill
Aluminum



ANSI 70 Gray
Powder Coat



STANDARD MODELS

ALUMINUM	STEEL + ALUMINUM	SIZE (IN.)	ACCESS	DOOR	CURB
RHLA36X30S1P	RHLB36X30S1P	36 x 30	Ladder	Single	Single Wall
RHLA36X36S1P	RHLB36X36S1P	36 x 36	Ladder	Single	Single Wall

Additional sizes and options available, call for more information.