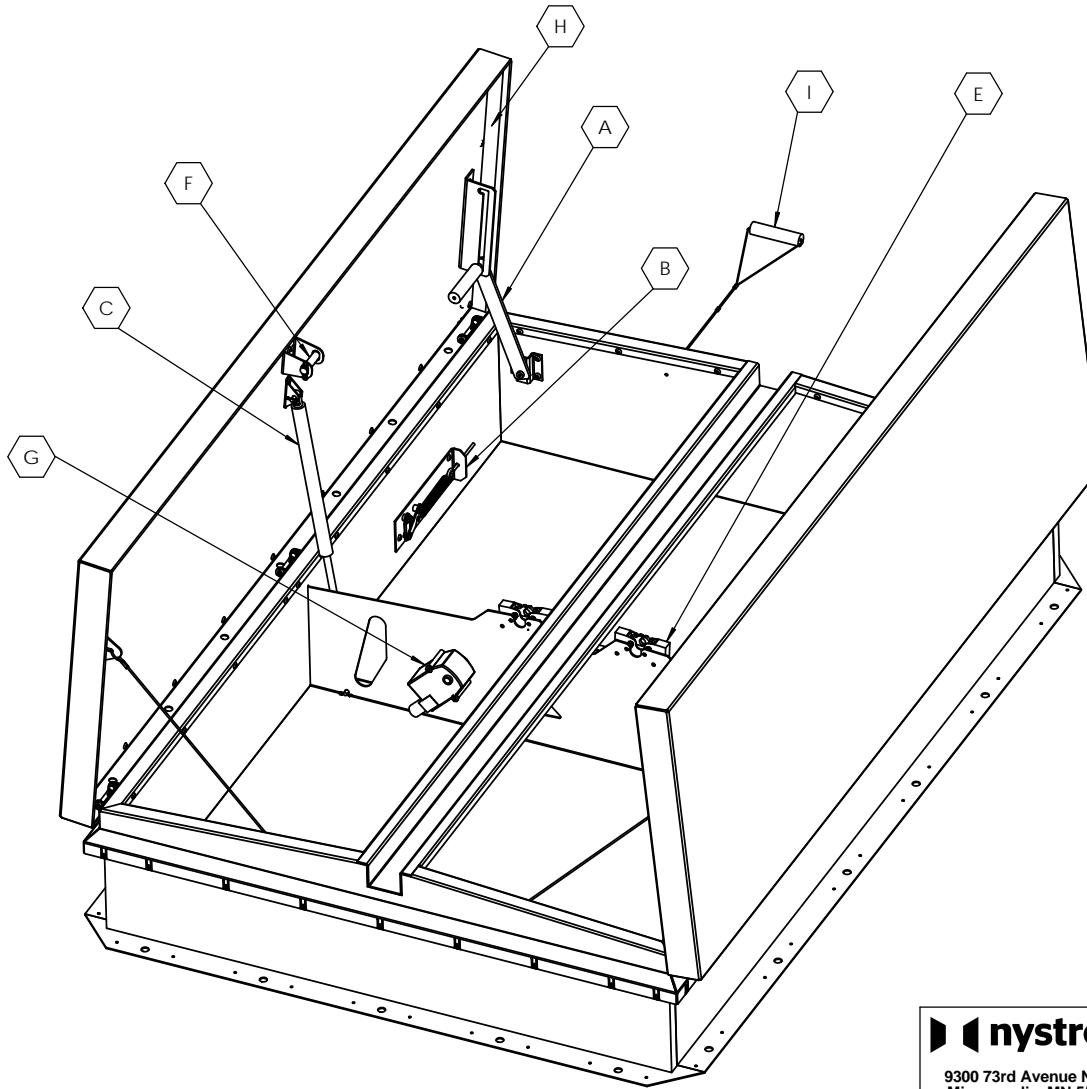


DETAIL SHEET	DESCRIPTION
A 2	HOA
B 3	THERMAL RELEASE
C 4	GAS SPRING
D 5	HINGE
E 6	ROTARY LATCH
F 7	LATCH PIN
G 8	ELECTRIC RELEASE
H 9	GASKET
I 10	MANUAL PULL
11	TOUCH UP PAINT
12	MANUAL WINCH
13	RIGGING



nystrom
 9300 73rd Avenue North
 Minneapolis, MN 55428

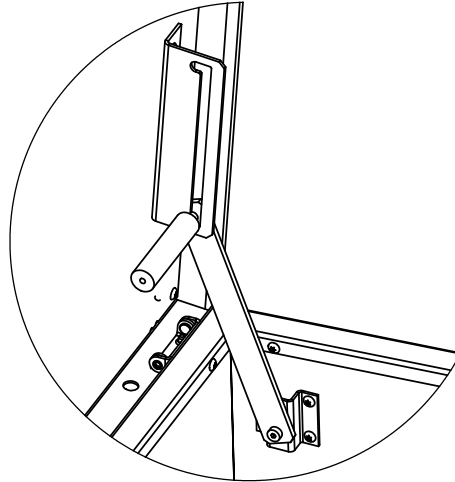
TITLE:
 SMOKE VENT, SMOKESCAPE SERIES
 48x72, Dbl Dr,
 Alum, Mill, Sngl Wall Curb

NAME	DATE	SIZE	DWG. NO.	REV
DRAWN	-	12/16/11	B	SV-KIT-RETRO
RELEASED	EW	12/16/11		

SHEET 1 OF 13

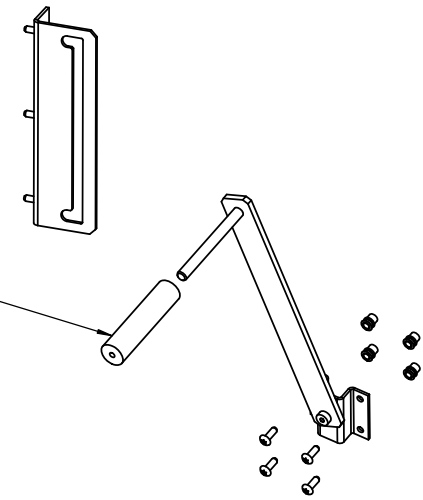
PROPRIETARY AND CONFIDENTIAL: THE INFORMATION CONTAINED IN THIS DRAWING IS THE SOLE PROPERTY OF NYSTROM. ANY REPRODUCTION IN PART OR AS A WHOLE WITHOUT THE WRITTEN PERMISSION OF NYSTROM IS PROHIBITED.

REPLACEMENT PART NUMBER	DESCRIPTION
SV-KIT-HOA	RETRO, PKG, HOA, RED HANDLE, ALUM



FACTORY INSTALLED VIEW

BEFORE ATTACHING TO FRAME
PUT HANDLE THROUGH HOA
SLOT ON THE COVER BRACKET



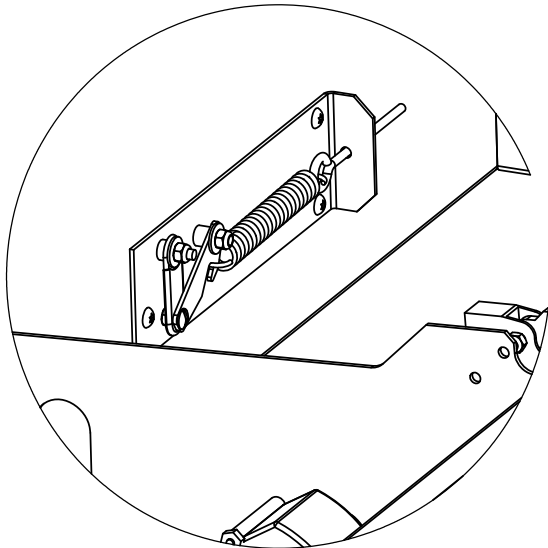
REPLACEMENT PART VIEW

REPLACEMENT HOA

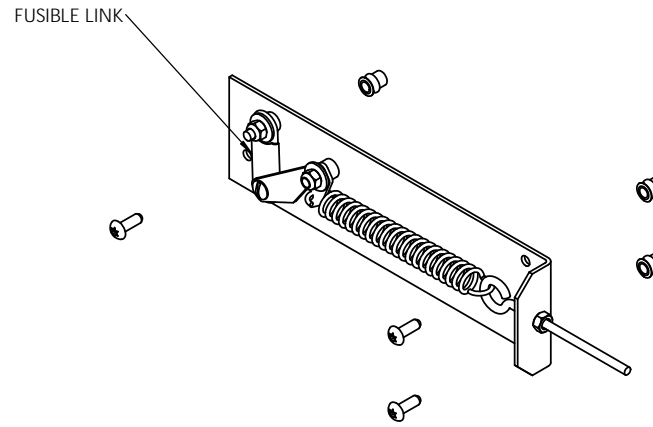
			TITLE: SMOKE VENT, SMOKESCAPE SERIES 48x72, Dbl Dr, Alum, Mill, Sngl Wall Curb		
9300 73rd Avenue North Minneapolis, MN 55428			SIZE	DWG. NO.	REV
DRAWN	-	12/16/11	B	SV-KIT-RETRO	-
RELEASED	EW	6/2/2014			

PROPRIETARY AND CONFIDENTIAL: THE INFORMATION CONTAINED IN THIS DRAWING IS THE SOLE PROPERTY OF NYSTROM. ANY REPRODUCTION IN PART OR AS A WHOLE WITHOUT THE WRITTEN PERMISSION OF NYSTROM IS PROHIBITED.

REPLACEMENT PART NUMBER	DESCRIPTION
SV-KIT-THERMAL-ALUM	PKG, ASSY, AUTO LATCH MECH, 165F, ALUM
SV-KIT-THERMAL-STEEL	PKG, ASSY, AUTO LATCH MECH, 165F, STEEL
SV-KIT-LINK-165	LINK, FUSIBLE, 165F RATING
SV-KIT-LINK-212	LINK, FUSIBLE, 212F RATING
SV-KIT-LINK-280	LINK, FUSIBLE, 280F RATING
SV-KIT-LINK-350	LINK, FUSIBLE, 350F RATING
SV-KIT-LINK-360	LINK, FUSIBLE, 360F RATING
SV-KIT-LINK-370	LINK, FUSIBLE, 370F RATING
SV-KIT-LINK-386	LINK, FUSIBLE, 386F RATING
SV-KIT-LINK-450	LINK, FUSIBLE, 450F RATING



FACTORY INSTALLED VIEW



REPLACEMENT PART VIEW

REPLACEMENT THERMAL RELEASE



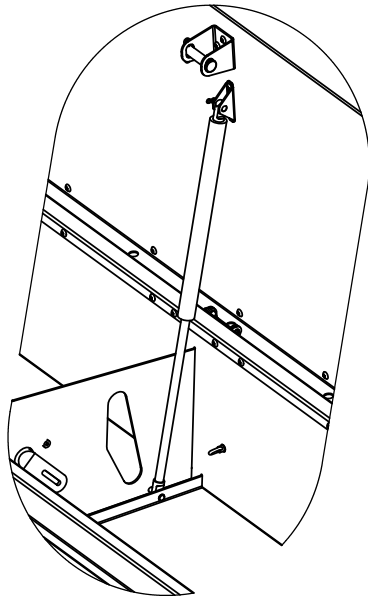
9300 73rd Avenue North
Minneapolis, MN 55428

TITLE:
SMOKE VENT, SMOKESCAPE SERIES
48x72, Dbl Dr,
Alum, Mill, Sngl Wall Curb

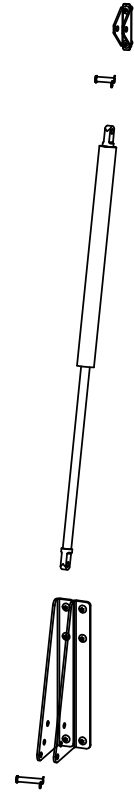
NAME	DATE	SIZE	DWG. NO.	REV
DRAWN	-	12/16/11	B	SV-KIT-RETRO
RELEASED	EW	6/2/2014		

SHEET 3 OF 13

8	7	6	5	4	3	2	1
REPLACEMENT PART NUMBER	DESCRIPTION						
SV-KIT-SPRING-894	RETRO, SPRING/DAMPER GAS, COVER/CURB BRKTS, P1=894N						
SV-KIT-SPRING-1460	RETRO, SPRING/DAMPER GAS, COVER/CURB BRKTS, P1=1460N						



FACTORY INSTALLED VIEW



REPLACEMENT PART VIEW

REPLACEMENT SPRING

nystrom
9300 73rd Avenue North
Minneapolis, MN 55428

TITLE: SMOKE VENT, SMOKESCAPE SERIES
48x72, Dbl Dr,
Alum, Mill, Sngl Wall Curb

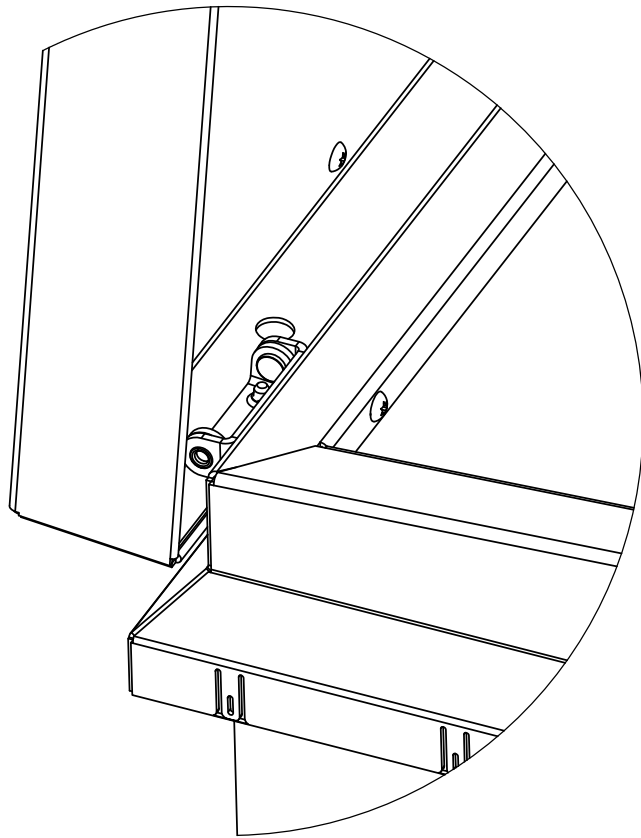
	NAME	DATE	SIZE	DWG. NO.	REV
DRAWN	-	12/16/11	B	SV-KIT-RETRO	-
RELEASED	EW	6/2/2014			

PROPRIETARY AND CONFIDENTIAL: THE INFORMATION CONTAINED IN THIS DRAWING IS THE SOLE PROPERTY OF NYSTROM. ANY REPRODUCTION IN PART OR AS A WHOLE WITHOUT THE WRITTEN PERMISSION OF NYSTROM IS PROHIBITED.

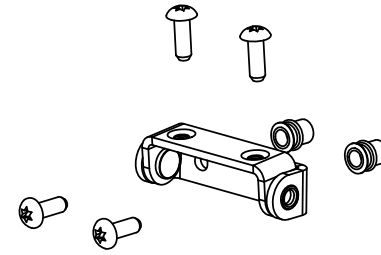
SHEET 4 OF 13

8 7 6 5 4 3 2 1

8	7	6	5	4	3	2	1
REPLACEMENT PART NUMBER		DESCRIPTION					
SV-KIT-HINGE		RETRO, PKG, HINGE ASSY					



FACTORY INSTALLED VIEW



REPLACEMENT PART VIEW

REPLACEMENT HINGE

nystrom
 9300 73rd Avenue North
 Minneapolis, MN 55428

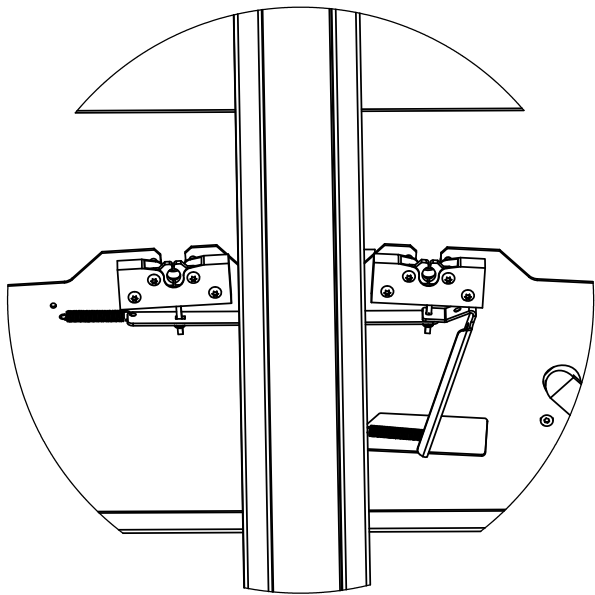
TITLE: SMOKE VENT, SMOKESCAPE SERIES
 48x72, Dbl Dr,
 Alum, Mill, Sngl Wall Curb

	NAME	DATE	SIZE	DWG. NO.	REV
DRAWN	-	12/16/11	B	SV-KIT-RETRO	-
RELEASED	EW	6/2/2014			

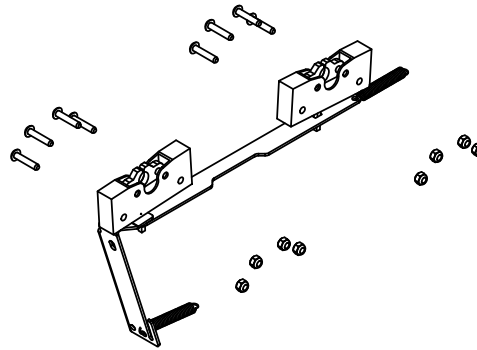
PROPRIETARY AND CONFIDENTIAL: THE INFORMATION CONTAINED IN THIS DRAWING IS THE SOLE PROPERTY OF NYSTROM. ANY REPRODUCTION IN PART OR AS A WHOLE WITHOUT THE WRITTEN PERMISSION OF NYSTROM IS PROHIBITED.

SHEET 5 OF 13

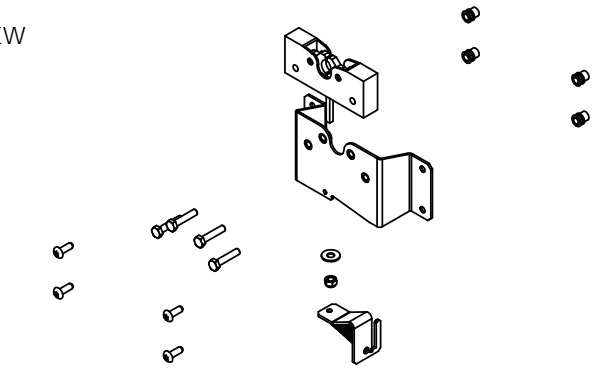
REPLACEMENT PART NUMBER	DESCRIPTION
SV-KIT-ROTARYLATCH-S	RETRO, ASSY, LATCH, ROTARY, SINGLE
SV-KIT-ROTARYLATCH-D	RETRO, ASSY, LATCH, ROTARY, DOUBLE



FACTORY INSTALLED VIEW



REPLACEMENT PART VIEW
(DOUBLE DOOR)



REPLACEMENT PART VIEW
(SINGLE DOOR)

REPLACEMENT ROTARY LATCH



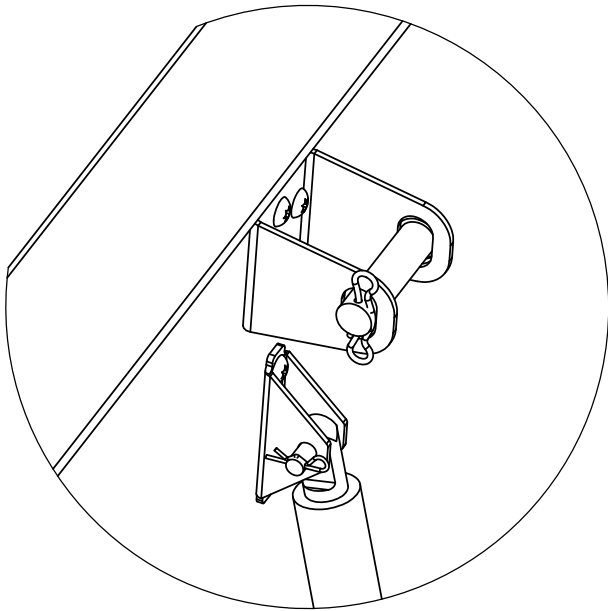
TITLE:
SMOKE VENT, SMOKESCAPE SERIES
48x72, Dbl Dr,
Alum, Mill, Sngl Wall Curb

NAME	DATE	SIZE	DWG. NO.	REV
DRAWN	-	12/16/11	B	SV-KIT-RETRO
RELEASED	EW	6/2/2014		

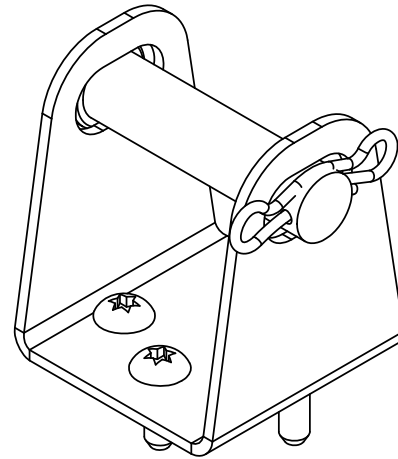
PROPRIETARY AND CONFIDENTIAL: THE INFORMATION CONTAINED IN THIS DRAWING IS THE SOLE PROPERTY OF NYSTROM. ANY REPRODUCTION IN PART OR AS A WHOLE WITHOUT THE WRITTEN PERMISSION OF NYSTROM IS PROHIBITED.

SHEET 6 OF 13

8	7	6	5	4	3	2	1
REPLACEMENT PART NUMBER	DESCRIPTION						
SV-KIT-LATCHPIN	RETRO, ASSY, LATCH PIN						



FACTORY INSTALLED VIEW



REPLACEMENT PART VIEW

REPLACEMENT LATCH PIN

nystrom
 9300 73rd Avenue North
 Minneapolis, MN 55428

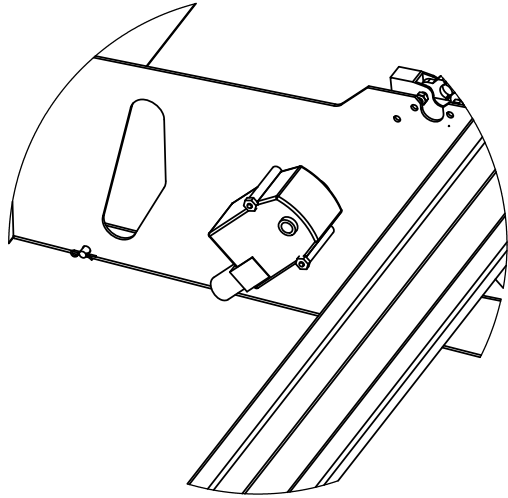
TITLE: SMOKE VENT, SMOKESCAPE SERIES
 48x72, Dbl Dr,
 Alum, Mill, Sngl Wall Curb

	NAME	DATE	SIZE	DWG. NO.	REV
DRAWN	-	12/16/11	B	SV-KIT-RETRO	-
RELEASED	EW	6/2/2014			

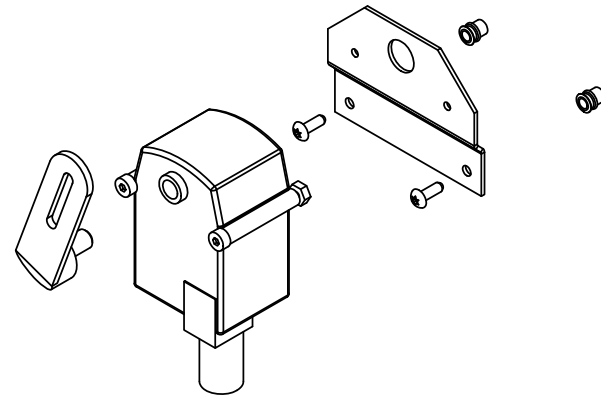
PROPRIETARY AND CONFIDENTIAL: THE INFORMATION CONTAINED IN THIS DRAWING IS THE SOLE PROPERTY OF NYSTROM. ANY REPRODUCTION IN PART OR AS A WHOLE WITHOUT THE WRITTEN PERMISSION OF NYSTROM IS PROHIBITED.

SHEET 7 OF 13

REPLACEMENT PART NUMBER	DISCRIPTION
SV-KIT-ELECTRIC-S-24	RETRO PKG, ELECTRICAL RELEASE, 24VDC/VAC, ALUM, SINGLE DOOR
SV-KIT-ELECTRIC-S-110	RETRO PKG, ELECTRICAL RELEASE, 120/240VAC, ALUM, SINGLE DOOR
SV-KIT-ELECTRIC-D-24	RETRO PKG, ELECTRICAL RELEASE, 24VDC/VAC, ALUM, DOUBLE DOOR
SV-KIT-ELECTRIC-D-110	RETRO PKG, ELECTRICAL RELEASE, 120/240VAC, ALUM, DOUBLE DOOR
SV-KIT-RIVNUT-TOOL	TOOL, RIVNUT INST, 1/4-20



FACTORY INSTALLED VIEW



REPLACEMENT PART VIEW
(SINGLE DOOR)

REPLACEMENT ELECTRIC



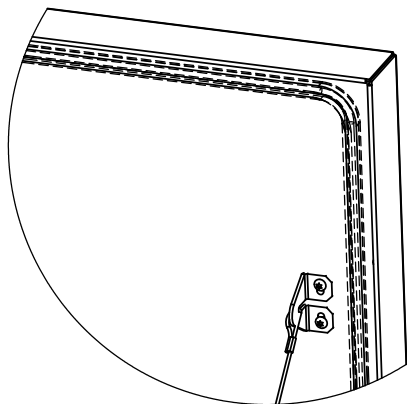
TITLE: SMOKE VENT, SMOKESCAPE SERIES
48x72, Dbl Dr,
Alum, Mill, Sngl Wall Curb

NAME	DATE	SIZE	DWG. NO.	REV
DRAWN	-	12/16/11	B	SV-KIT-RETRO
RELEASED	EW	6/2/2014		

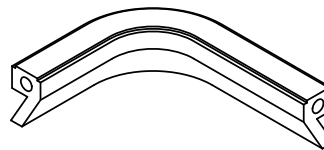
PROPRIETARY AND CONFIDENTIAL: THE INFORMATION CONTAINED IN THIS DRAWING IS THE SOLE PROPERTY OF NYSTROM. ANY REPRODUCTION IN PART OR AS A WHOLE WITHOUT THE WRITTEN PERMISSION OF NYSTROM IS PROHIBITED.

SHEET 8 OF 13

8	7	6	5	4	3	2	1
REPLACEMENT PART NUMBER	DESCRIPTION						
SV-KIT-GASKET	RETRO, GASKET, RH, SV, WIPER SEAL						



FACTORY INSTALLED VIEW



REPLACEMENT PART VIEW

REPLACEMENT GASKET



TITLE: SMOKE VENT, SMOKESCAPE SERIES
48x72, Dbl Dr,
Alum, Mill, Sngl Wall Curb

	NAME	DATE	SIZE	DWG. NO.	REV
DRAWN	-	12/16/11	B	SV-KIT-RETRO	-
RELEASED	EW	6/2/2014			

PROPRIETARY AND CONFIDENTIAL: THE INFORMATION CONTAINED IN THIS DRAWING IS THE SOLE PROPERTY OF NYSTROM. ANY REPRODUCTION IN PART OR AS A WHOLE WITHOUT THE WRITTEN PERMISSION OF NYSTROM IS PROHIBITED.

SHEET 9 OF 13

8

7

6

5

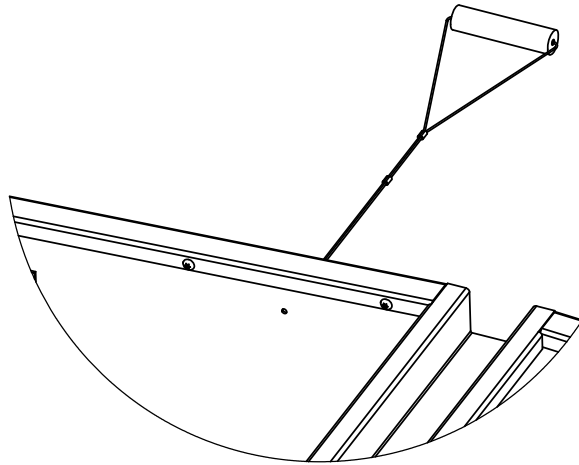
4

3

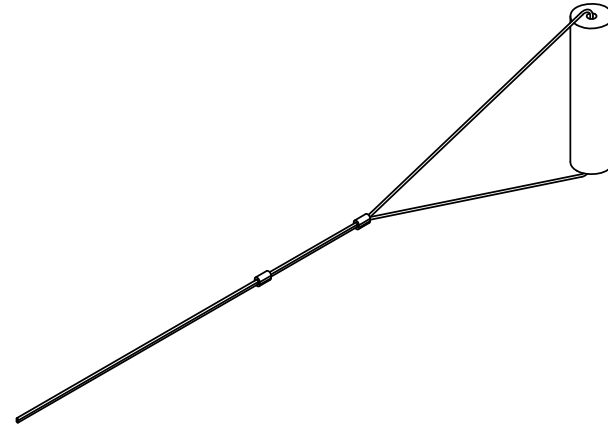
2

1

REPLACEMENT PART NUMBER	DESCRIPTION
SV-KIT-MANUALPULL-100	RETRO, PKG, PULL HANDLE, INTERNAL, 100FT, SMOKE VENT
SV-KIT-MANUALPULL-10	RETRO PKG, PULL HANDLE, INTERNAL, 10FT, SMOKE VENT



FACTORY INSTALLED VIEW



REPLACEMENT PART VIEW

REPLACEMENT MANUAL PULL



TITLE:
SMOKE VENT, SMOKESCAPE SERIES
48x72, Dbl Dr,
Alum, Mill, Sngl Wall Curb

	NAME	DATE	SIZE	DWG. NO.	REV
DRAWN	-	12/16/11	B	SV-KIT-RETRO	-
RELEASED	EW	6/2/2014			

PROPRIETARY AND CONFIDENTIAL: THE INFORMATION CONTAINED IN THIS DRAWING IS THE SOLE PROPERTY OF NYSTROM. ANY REPRODUCTION IN PART OR AS A WHOLE WITHOUT THE WRITTEN PERMISSION OF NYSTROM IS PROHIBITED.

8	7	6	5	4	3	2	1
REPLACEMENT PART NUMBER	DESCRIPTION						
KIT-SPRAYPAINT-FP1	SPRAY PAINT, ANSI 70 GRAY, ACRYLIC ENAMEL RESIN, 12.8 OZ CAN						
KIT-SPRAYPAINT-FP2	SPRAY PAINT, RED OXIDE, ACRYLIC ENAMEL RESIN, 12.8 OZ CAN						
KIT-SPRAYPAINT-FP4	SPRAY PAINT, SUPER BLACK, ACRYLIC ENAMEL RESIN, 12.8 OZ CAN						
KIT-SPRAYPAINT-FP44	SPRAY PAINT, HI REFLECT WHITE, ACRYLIC ENAMEL RESIN, 12.8 OZ CAN						
KIT-SPRAYPAINT-FP48	SPRAY PAINT, SAFETY YELLOW, ACRYLIC ENAMEL RESIN, 12.8 OZ CAN						



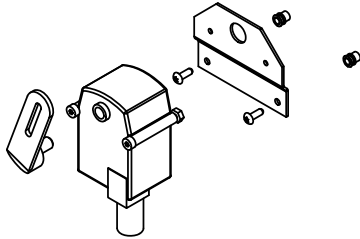
TOUCH UP SPRAY CANS

			TITLE: SMOKE VENT, SMOKESCAPE SERIES 48x72, Dbl Dr, Alum, Mill, Sngl Wall Curb		
9300 73rd Avenue North Minneapolis, MN 55428			SIZE	DWG. NO.	REV
DRAWN	-	12/16/11	B	SV-KIT-RETRO	-
RELEASED	EW	4/15/14			
WEIGHT: 233 LB			SHEET 11 OF 13		

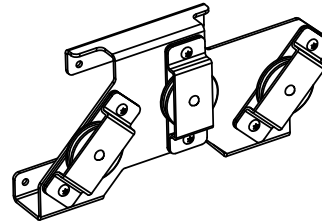
PROPRIETARY AND CONFIDENTIAL: THE INFORMATION CONTAINED IN THIS DRAWING IS THE SOLE PROPERTY OF NYSTROM. ANY REPRODUCTION IN PART OR AS A WHOLE WITHOUT THE WRITTEN PERMISSION OF NYSTROM IS PROHIBITED.

8	7	6	5	4	3	2	1
---	---	---	---	---	---	---	---

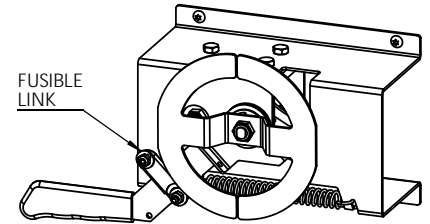
REPLACEMENT PART NUMBER	DESCRIPTION
SV-KIT-RETROWINCH	PKG, MANUAL WINCH, UL LISTED, 165F, RETRO FIT
SV-KIT-THERMAL-WINCH	PKG, ASSY, VENT LVL WINCH, DUAL ALM, 165F
SV-KIT-BRKWINCH	PKG, ASSY, FLOOR LVL WINCH, BRAKE WINCH
SV-KIT-CRBPLYGRP	PKG, ASSY, PULLEY GROUP, WINCH, MID SUPPORT
SV-KIT-CRBPLY	PKG, ASSY, PULLEY ANGLE, WINCH, CURB
SV-KIT-CVRPLY	PKG, ASSY, PULLEY, WINCH, COVER
SV-KIT-EYEBOLT	PKG, CABLE REDIRECT
SV-KIT-ELECTRIC-W-24	PKG, ELECTRICAL RELEASE, 24VDC/VAC, MANUAL WINCH
SV-KIT-ELECTRIC-W-110	PKG, ELECTRICAL RELEASE, 120/240VAC, MANUAL WINCH



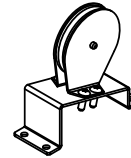
REPLACEMENT PART VIEW
(SV-KIT-ELECTRIC-W-24)



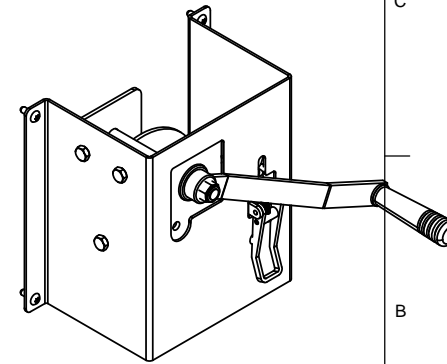
REPLACEMENT PART VIEW
(SV-KIT-CRBPLYGRP)



REPLACEMENT PART VIEW
(SV-KIT-THERMAL-WINCH)



REPLACEMENT PART VIEW
(SV-KIT-CRBPLY)



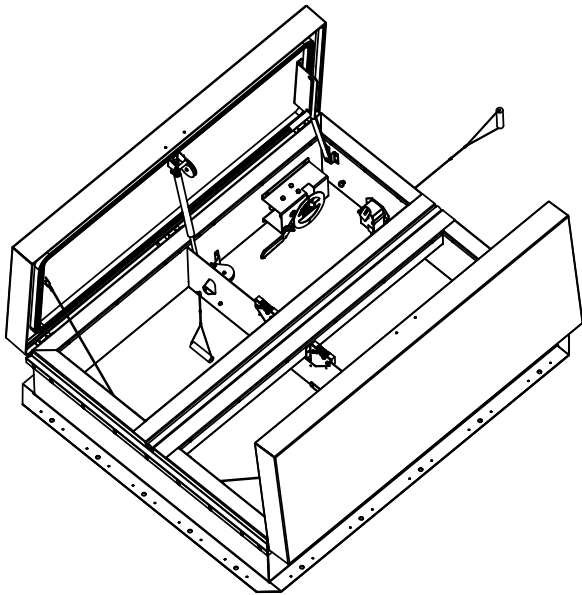
REPLACEMENT PART VIEW
(SV-KIT-BRKWINCH)



REPLACEMENT PART VIEW
(SV-KIT-EYEBOLT)



REPLACEMENT PART VIEW
(SV-KIT-CVRPLY)



FACTORY INSTALLED VIEW

REPLACEMENT MANUAL WINCH



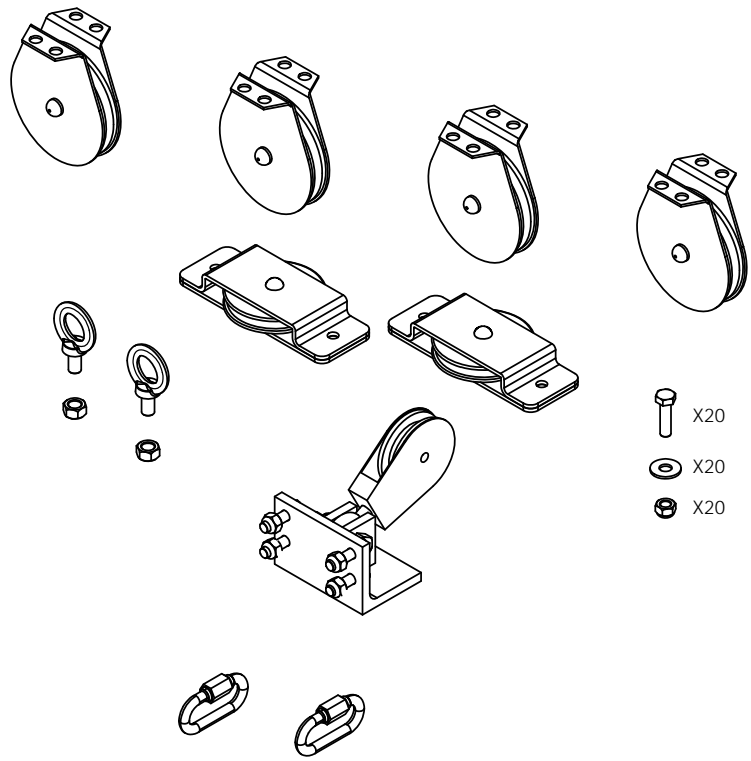
9300 73rd Avenue North
Minneapolis, MN 55428

TITLE:
SMOKE VENT, SMOKESCAPE SERIES
48x72, Dbl Dr,
Alum, Mill, Sngl Wall Curb


NAME	DATE	SIZE	DWG. NO.	REV
DRAWN	-	12/16/11	B SV-KIT-RETRO	-
RELEASED	EW	4/15/14		

WEIGHT: 233 LB SHEET 12 OF 13

8	7	6	5	4	3	2	1
REPLACEMENT PART NUMBER	DESCRIPTION						
SV-KIT-RIGGING	PKG, KIT, RIGGING HARDWARE						



RIGGING HARDWARE

 9300 73rd Avenue North Minneapolis, MN 55428			TITLE:			REV
			SMOKE VENT, SMOKESCAPE SERIES 48x72, Dbl Dr, Alum, Mill, Sngl Wall Curb			
DRAWN	NAME	DATE	SIZE	DWG. NO.		-
RELEASED	EW	4/15/14	B	SV-KIT-RETRO		
PROPRIETARY AND CONFIDENTIAL: THE INFORMATION CONTAINED IN THIS DRAWING IS THE SOLE PROPERTY OF NYSTROM. ANY REPRODUCTION IN PART OR AS A WHOLE WITHOUT THE WRITTEN PERMISSION OF NYSTROM IS PROHIBITED.			WEIGHT: 233 LB		SHEET 13 OF 13	