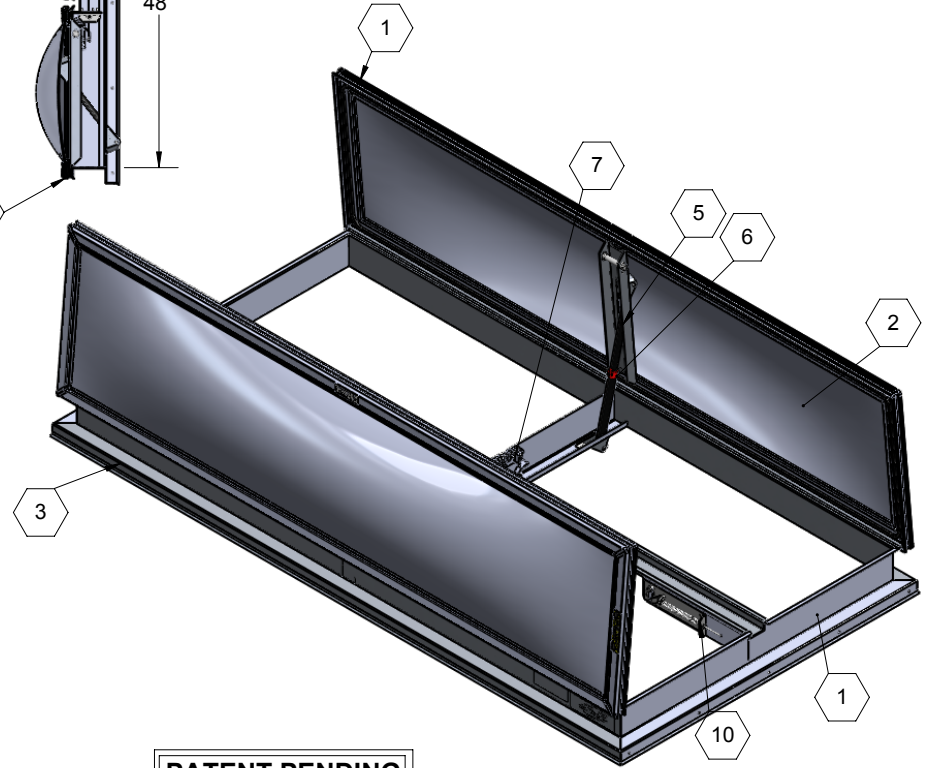
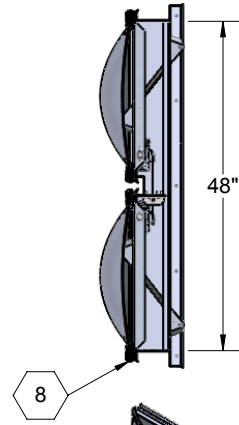


SECTION A-A

SECTION B-B



SPECIFICATIONS:

- ① **COVER:** ALUMINUM COVER TO WITHSTAND A LIVE LOAD OF 40 PSF
- ② **TRANSLUCENT MATERIAL:** POLYCARBONATE, WHITE DOME
- ③ **CURB** 11 GAUGE ALUMINUM
- ④ **FINISH: COVER - MILL
CURB - MILL**
- ⑤ **GAS SPRING WITH DAMPER:** DESIGNED TO OPEN AGAINST A 10PSF SNOW LOAD IN NOT LESS THAN 2 SECONDS
- ⑥ **HOLD OPEN ARM:** LOCK COVER IN FULLY OPEN POSITION
- ⑦ **LATCH:** ZINC PLATED ROTARY LATCH ASSEMBLY DESIGNED TO HOLD COVERS CLOSED AGAINST 90 PSF WIND UPLIFT ZINC PLATED STEEL LATCH STRIKERS ON COVERS

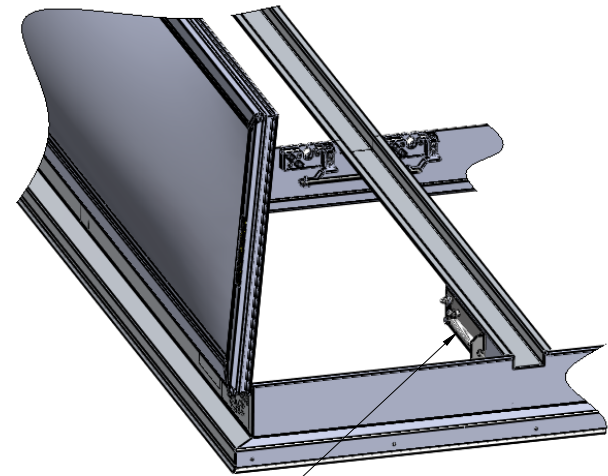
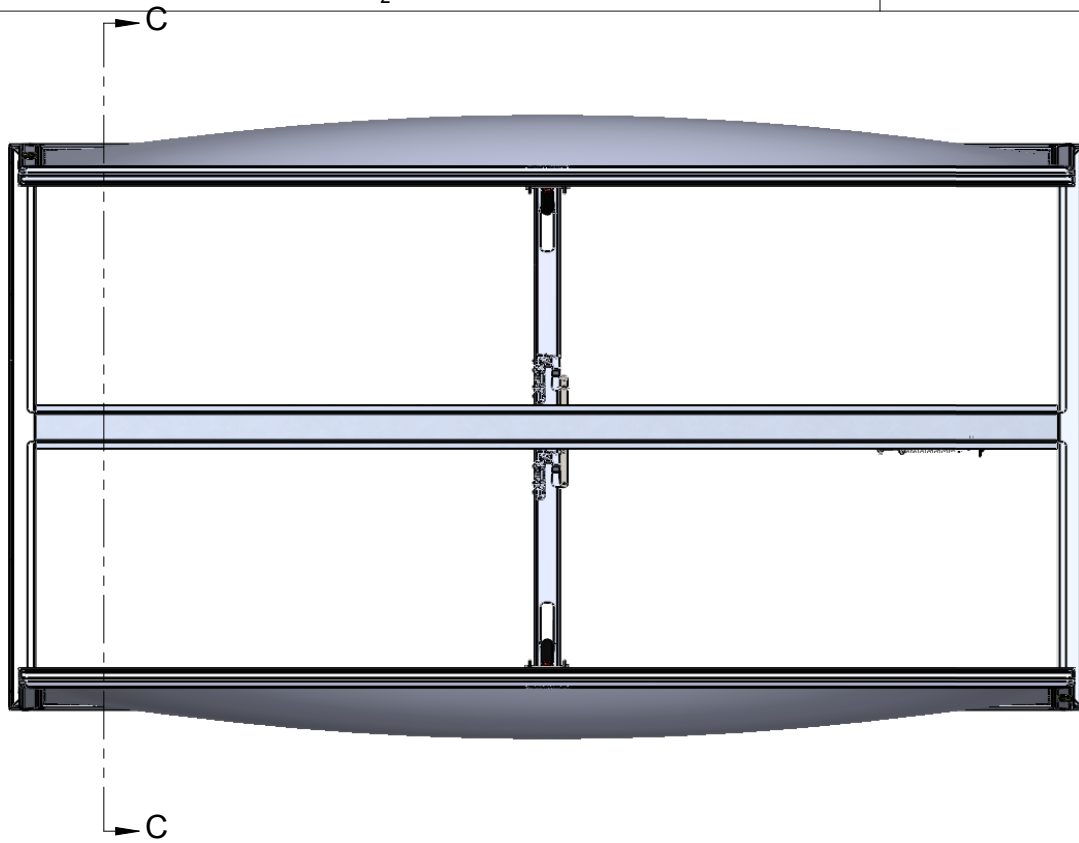
- ⑧ **HINGE:** CONTINUOUS
 - ⑨ **GASKET:** ADHESIVE BACKED EPDM RUBBER EXTRUSION
 - ⑩ **THERMAL RELEASE MECHANISM:** VENT COVERS OPEN THERMALLY BY HEAT AT FUSIBLE LINK TEMPERATURE 165°F
 - ⑪ **MANUAL OPERATION:** VENT COVERS OPEN WITH INTERNAL AND EXTERNAL MANUAL PULL HANDLES, 1/16" DIA SST CABLE, CLOSE VENT AT ROOFTOP
- SMOKE VENT SIZE 48" (WIDTH) x 96" (LENGTH)**

PATENT PENDING

PROJECT:			
ARCHITECT:			
CONTRACTOR:			
QTY:			
PART#:		SVEA48X96D6N165R-LPW	
 9300 73rd Avenue North Minneapolis, MN 55428		TITLE:	
		Smoke Vent, Dome, 48x96, Dbl Dr, Alum, Mill, Apron Mount,	
NAME	DATE	SIZE	DWG. NO.
DRAWN	SGS	05/26/16	A
RELEASED	IMT	08/01/16	WEIGHT: 110 LBS
			REV
			-
			SHEET 1 OF 2

B

B

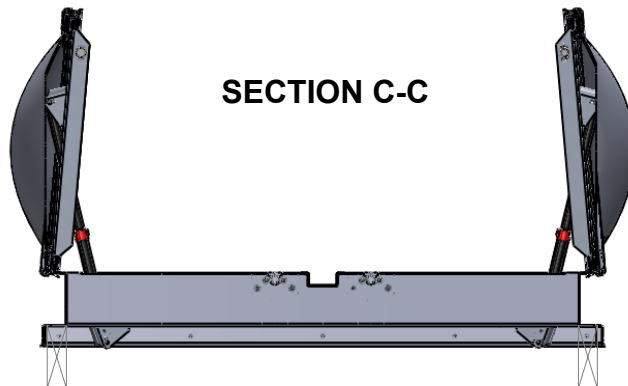


ALM


A

A

SECTION C-C



CONCRETE/WOOD/OTHER
MATERIAL PROVIDED BY OTHER
NIC

				TITLE: Smoke Vent, Dome, 48x96, Dbl Dr, Alum, Mill, Apron Mount,	
9300 73rd Avenue North Minneapolis, MN 55428				SIZE	DWG. NO.
DRAWN	SGS	05/26/16	RELEASED	IMT	08/01/16
WEIGHT: 110 LBS				SHEET 2 OF 2	