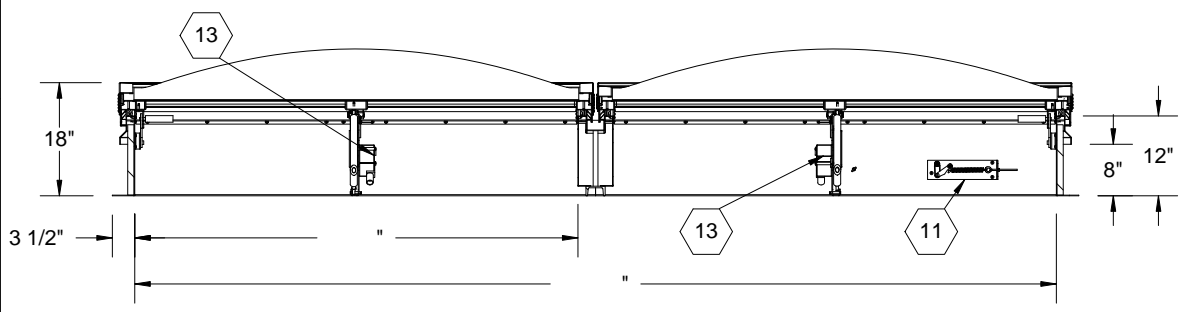
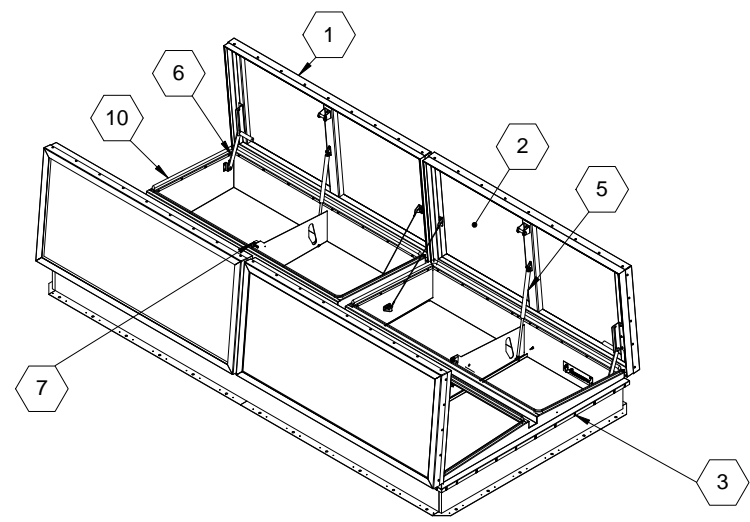


SECTION B-B



SECTION A-A



SPECIFICATIONS:

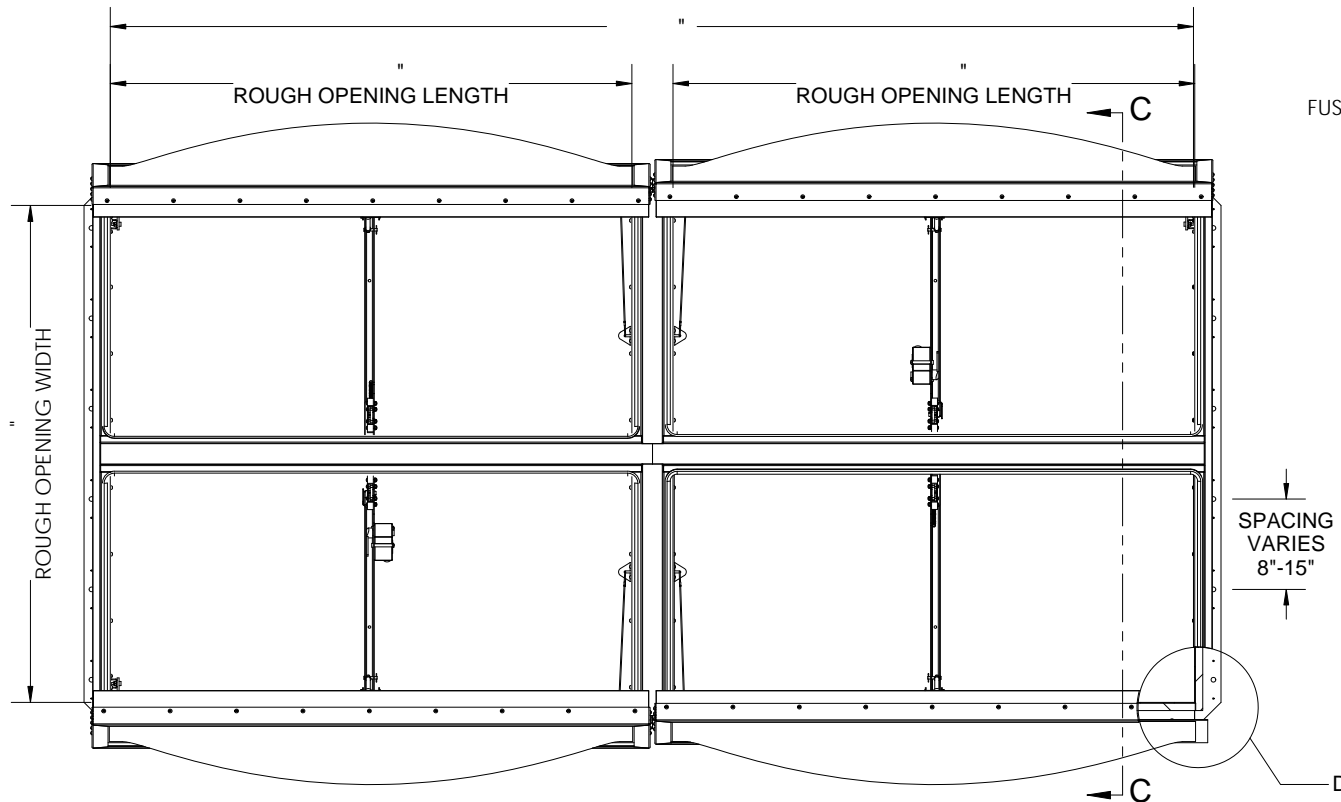
- ① COVER: 11 GAUGE ALUMINUM COVER STIFFENED TO WITHSTAND A LIVE LOAD OF 40 PSF WITH A MAX DEFLECTION OF 1/150 OF THE SPAN
- ② LINER MATERIAL: Polycarbonate, White Dome UV - Single
- ③ CURB AND COUNTERFLASH W/EZ TAB: 11 GAUGE ALUMINUM
- ④ FINISH: COVER - Mill  
CURB - Mill
- ⑤ GAS SPRING WITH DAMPER: DESIGNED TO OPEN AGAINST A 10PSF SNOW LOAD IN NOT LESS THAN 2 SECONDS
- ⑥ HOLD OPEN ARM: LOCK COVER IN FULLY OPEN POSITION - ZINC PLATED STEEL
- ⑦ LATCH: ZINC PLATED ROTARY LATCH ASSEMBLY DESIGNED TO HOLD COVERS CLOSED AGAINST 90 PSF PSF WIND UPLIFT ZINC PLATED STEEL LATCH STRIKERS ON COVERS

- ⑧ HINGES: ZINC PLATED STEEL WITH STAINLESS STEEL HINGE PINS
- ⑨ INSULATION: 1" POLYISOCYANURATE IN COVER AND AROUND CURBING PERIMETER, R-VALUE 6
- ⑩ GASKET: ADHESIVE BACKED EPDM RUBBER EXTRUSION
- ⑪ THERMAL RELEASE MECHANISM: VENT COVERS OPEN THERMALLY BY HEAT AT FUSIBLE LINK TEMPERATURE °F
- ⑫ MANUAL OPENING: VENT COVERS OPEN WITH INTERNAL AND EXTERNAL MANUAL PULL HANDLE, 1/16" DIA SST CABLE
- ⑬ ELECTRICAL RELEASE: VENT COVERS OPEN ELECTRICALLY WHEN ENERGIZED WITH
- ⑭ BURGLAR BARS: None

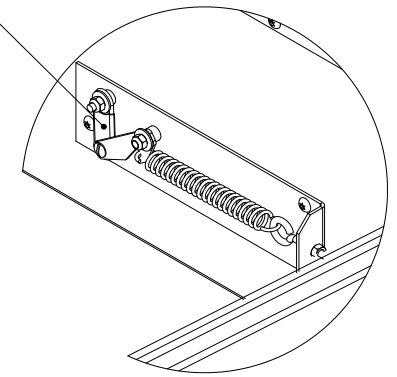
SMOKE VENT SIZE      "(WIDTH) x      "(LENGTH)  
EFFECTIVE VENTING AREA 80%      SQFT

PROJECT:				
ARCHITECT:				
CONTRACTOR:				
QTY:				
PART#:	SVLA X Q1N R-LPW			
<b>nystrom</b>	TITLE: Smoke Vent, SunLit Series, Aluminum, Quad Door, Single Wall Curb Electrical			
9300 73rd Avenue North Minneapolis, MN 55428				
NAME	DATE	SIZE	DWG. NO.	REV
DRAWN SGS	11/23/11	A	SVLA_X_Q1_R-LPW	-
RELEASED IMT	11/23/11	WEIGHT: VARIES	SHEET 1 OF 2	

PROPRIETARY AND CONFIDENTIAL: THE INFORMATION CONTAINED IN THIS DRAWING IS THE SOLE PROPERTY OF NYSTROM. ANY REPRODUCTION IN PART OR AS A WHOLE WITHOUT THE WRITTEN PERMISSION OF NYSTROM IS PROHIBITED.



FUSIBLE LINK



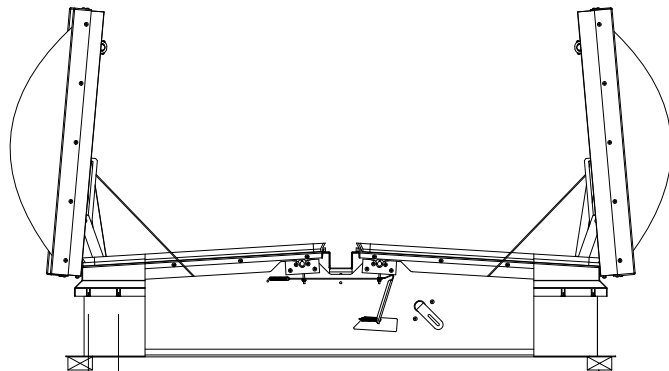
SPACING VARIES 8"-15"

B

B

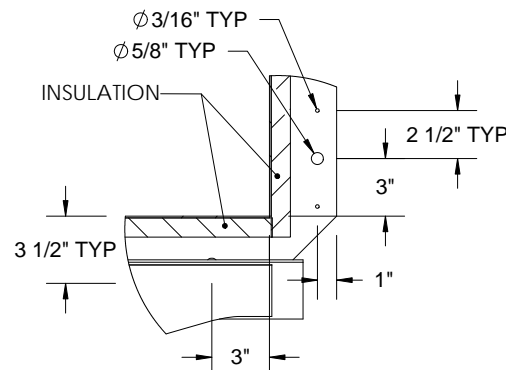
A

A



**SECTION C-C**

EZ-TAB TO SECURE MEMBRANE  
SPACING VARIES 5"-8"



**DETAIL D**

CONCRETE/WOOD/OTHER  
MATERIAL PROVIDED BY OTHER  
NIC

**SMOKE VENT COVER OPENS WHEN ACTIVATED BY:**

**A. THERMAL RELEASE MECHANISM:** RELEASED BY HEAT WITH A UL LISTED FUSIBLE LINK AT TEMPERATURE °F

**OPTIONS:** 165°F, 212°F, 280°F, 350°F, 360°F, 370°F, 386°F, 450°F

**B. MANUAL OPENING:** RELEASED BY EXTERNAL AND INTERNAL PULL CABLES WITH HANDLES AND 5FT OF INTERNAL CABLE PROVIDED

**C. ELECTRICAL RELEASE:** RELEASED BY A 2.5 WATT UL LISTED ROTARY ACTUATOR WHEN ENERGIZED TO

**SMOKE VENT COVER CLOSED MANUALLY FROM ROOFTOP**



TITLE:  
Smoke Vent, SunLit Series,  
Aluminum, Quad Door, Single Wall Curb  
Electrical

9300 73rd Avenue North  
Minneapolis, MN 55428

	NAME	DATE	SIZE	DWG. NO.	REV
DRAWN	SGS	11/23/11	A	SVLA_X_Q1_ _R-LPW	-
RELEASED	IMT	11/23/11	WEIGHT: VARIES		SHEET 2 OF 2