

SECTION A-A

SECTION B-B

SPECIFICATIONS:

- ① **COVER:** ALUMINUM EXTRUSION WITH 11GA ALUM RETAINER TO WITHSTAND A LIVE LOAD OF 40 PSF WITH A MAX DEFLECTION OF 1/150 OF THE SPAN
- ② **TRANSLUCENT MATERIAL:** POLYCARBONATE MULTI-WALL WHITE
- ③ **CURB AND COUNTERFLASH W/ EZ TAB:** 14 GAUGE GALVANNEAL
- ④ **FINISH: COVER-** MILL
CURB- POWDER COAT PAINT, ANSI 70 GRAY
- ⑤ **GAS SPRING WITH DAMPER:** DESIGNED TO OPEN AGAINST A 10PSF SNOW LOAD IN NOT LESS THAN 2 SECONDS
- ⑥ **HOLD OPEN ARM:** LOCK COVER IN FULLY OPEN POSITION - ZINC PLATED STEEL
- ⑦ **LATCH:** ZINC PLATED ROTARY LATCH ASSEMBLY DESIGNED TO HOLD COVERS CLOSED AGAINST 90 PSF WIND UPLIFT ZINC PLATED STEEL LATCH STRIKERS ON COVERS

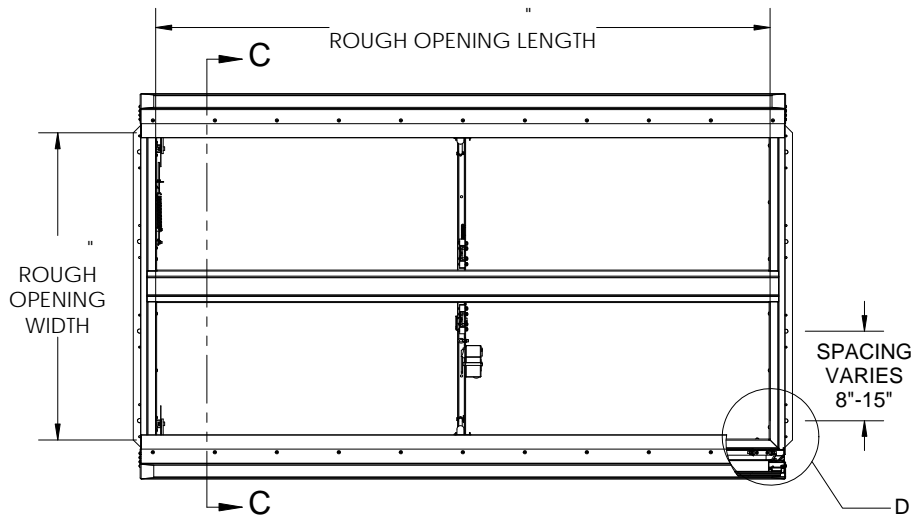
- ⑧ **HINGES:** ZINC PLATED STEEL WITH STAINLESS STEEL HINGE PINS
- ⑨ **INSULATION:** 1" POLYISOCYANURATE IN COVER AND AROUND CURB PERIMETER, R-VALUE 6
- ⑩ **GASKET:** ADHESIVE BACKED EPDM RUBBER EXTRUSION
- ⑪ **THERMAL RELEASE MECHANISM:** VENT COVERS OPEN THERMALLY BY HEAT AT FUSIBLE LINK TEMPERATURE °F
- ⑫ **MANUAL OPENING:** VENT COVERS OPEN WITH INTERNAL AND EXTERNAL MANUAL PULL HANDLE, 1/16" DIA SST CABLE
- ⑬ **ELECTRICAL RELEASE:** VENT COVERS OPEN ELECTRICALLY WHEN ENERGIZED WITH

SMOKE VENT SIZE (WIDTH) x (LENGTH)
EFFECTIVE VENTING AREA 90% SQFT

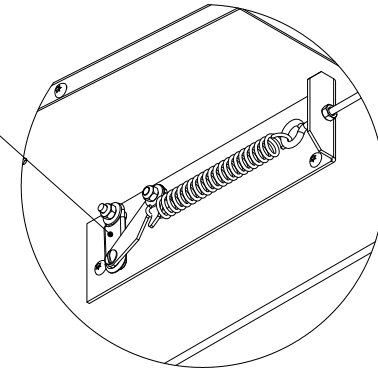


PROJECT:			
ARCHITECT:			
CONTRACTOR:			
QTY:			
PART#:		SVLB	X D1 R
 9300 73rd Avenue North Minneapolis, MN 55428		TITLE: Smoke Vent, SunLit Series Galvanneal, Dbl Dr, Single Wall Curb Electrical	
NAME	DATE	SIZE	DWG. NO.
DRAWN	-	05/04/11	A
RELEASED	DS	05/04/11	SVLB_X_D1__R
WEIGHT: VARIES			REV -
SHEET 1 OF 2			

PROPRIETARY AND CONFIDENTIAL: THE INFORMATION CONTAINED IN THIS DRAWING IS THE SOLE PROPERTY OF NYSTROM. ANY REPRODUCTION IN PART OR AS A WHOLE WITHOUT THE WRITTEN PERMISSION OF NYSTROM IS PROHIBITED.



FUSIBLE LINK



Ø 9/32" TYP

Ø 5/8" TYP

INSULATION

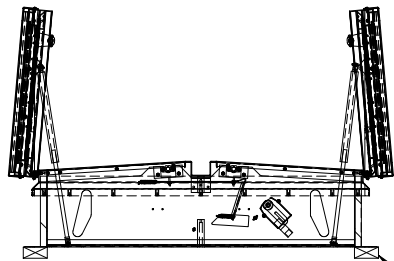
2 1/2" TYP

3"

3 1/2" TYP

1" TYP

DETAIL D



SECTION C-C

CONCRETE/WOOD/OTHER MATERIAL PROVIDED BY OTHER NIC

SMOKE VENT COVER OPENS WHEN ACTIVATED BY:

A. THERMAL RELEASE MECHANISM: RELEASED BY HEAT WITH A UL LISTED FUSIBLE LINK AT TEMPERATURE °F

OPTIONS: 165°F, 212°F, 280°F, 350°F, 360°F, 370°F, 386°F, 450°F

B. MANUAL OPENING: RELEASED BY EXTERNAL AND INTERNAL PULL CABLES WITH HANDLES AND 5FT OF INTERNAL CABLE PROVIDED

C. ELECTRICAL RELEASE: RELEASED BY A 2.5 WATT UL LISTED ROTARY ACTUATOR WHEN ENERGIZED TO

SMOKE VENT COVER CLOSED MANUALLY FROM ROOFTOP



9300 73rd Avenue North
Minneapolis, MN 55428

TITLE: Smoke Vent, SunLit Series
Galvanneal, Dbl Dr, Single Wall Curb
Electrical

	NAME	DATE	SIZE	DWG. NO.	REV
DRAWN	-	05/04/11	A	SVLB_X_D1_ _R	-
RELEASED	DS	05/04/11	WEIGHT: VARIES		SHEET 2 OF 2