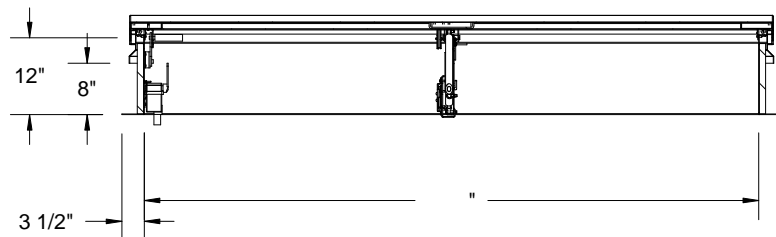
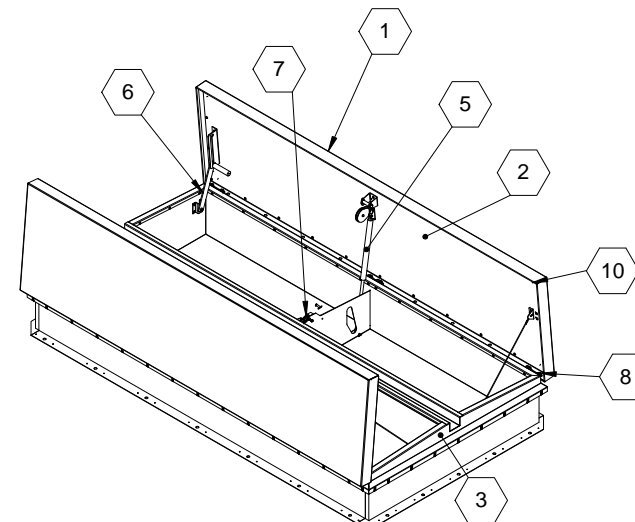
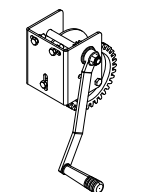


SECTION B-B



SECTION A-A



LOWER WINCH

**SPECIFICATIONS:**

① **COVER:** 11 GAUGE ALUMINUM COVER STIFFENED TO WITHSTAND A LIVE LOAD OF 40 PSF WITH A MAX DEFLECTION OF 1/150 OF THE SPAN

② **LINER:** 18 GAUGE ALUMINUM

③ **CURB AND COUNTERFLASH W/ EZ TAB:** 11 GAUGE ALUMINUM

4 **FINISH:** COVER - Mill  
CURB - Mill

⑤ **GAS SPRING WITH DAMPER:** DESIGNED TO OPEN AGAINST A 10PSF SNOW LOAD IN NOT LESS THAN 2 SECONDS

⑥ **HOLD OPEN ARM:** LOCK COVER IN FULLY OPEN POSITION - ZINC PLATED STEEL

⑦ **LATCH:** ZINC PLATED ROTARY LATCH ASSEMBLY DESIGNED TO HOLD COVERS CLOSED AGAINST 90 PSF PSF WIND UPLIFT ZINC PLATED STEEL LATCH STRIKERS ON COVERS

⑧ **HINGES:** ZINC PLATED STEEL WITH STAINLESS STEEL HINGE PINS

⑨ **INSULATION:** 1" Polyiso curb (R5.6), 1" Polyiso cover (R5.6)

⑩ **GASKET:** ADHESIVE BACKED EPDM RUBBER EXTRUSION

⑪ **THERMAL RELEASE MECHANISM:** VENT COVERS OPEN THERMALLY BY HEAT AT FUSIBLE LINK TEMPERATURE 165F°F

12 **MANUAL OPERATION:** VENT COVERS OPEN WITH EXTERNAL MANUAL PULL HANDLE, 1/16" DIA SST CABLE AND VENT COVERS OPEN AND CLOSE WITH MANUAL WINCH, 100FT 1/8" DIA CABLE

⑬ **ELECTRICAL RELEASE:** VENT COVERS OPEN ELECTRICALLY WHEN ENERGIZED WITH 24VAC/VDC, REQUIRES RESET AT ROOF LEVEL

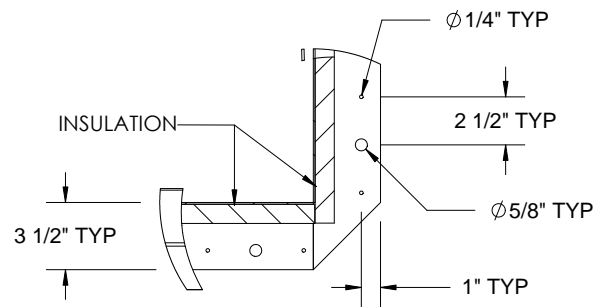
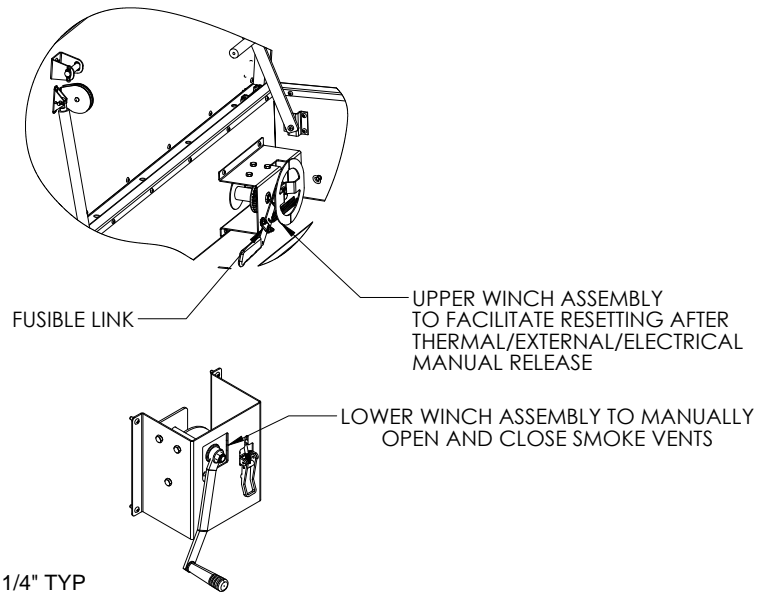
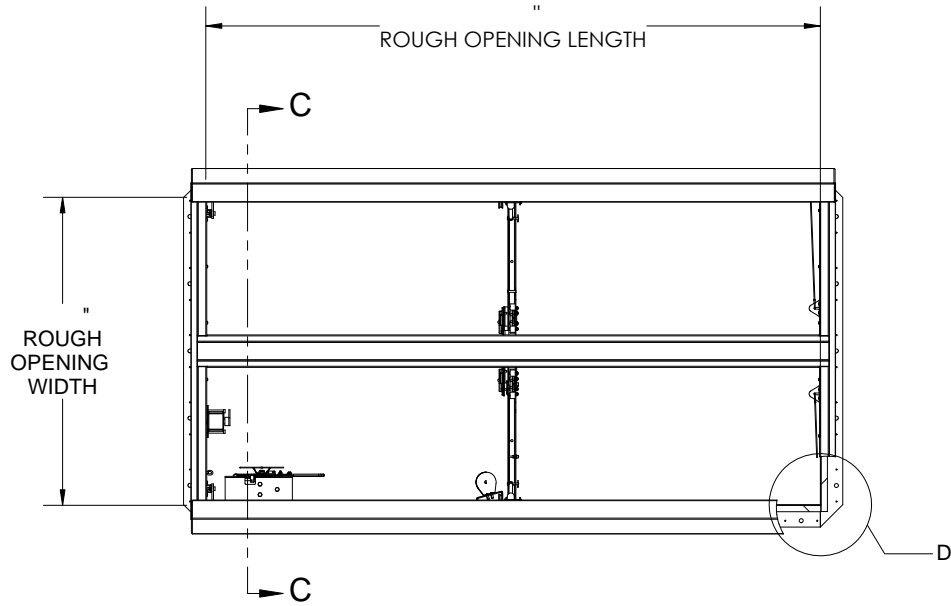
⑭ **BURGLAR BARS:** None

**SMOKE VENT SIZE** "(WIDTH) x "(LENGTH)  
**EFFECTIVE VENTING AREA 80%**

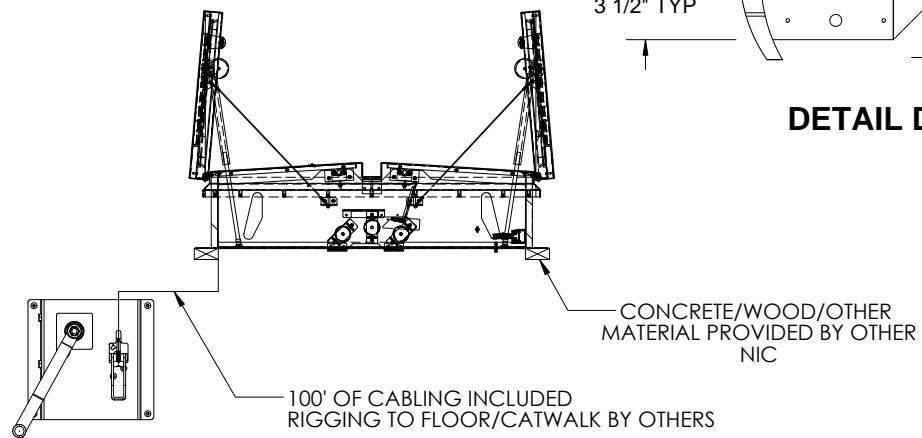


PROJECT:			
ARCHITECT:			
CONTRACTOR:			
QTY:			
PART#:			
 9300 73rd Avenue North Minneapolis, MN 55428		TITLE: Smoke Vent, SmokEscape, Alum, Mill,	
NAME	DATE	SIZE	DWG. NO.
ELW	4/15/14	A	
RELEASED	ELW	4/15/14	WEIGHT: VARIES
			SHEET 1 OF 2

PROPRIETARY AND CONFIDENTIAL: THE INFORMATION CONTAINED IN THIS DRAWING IS THE SOLE PROPERTY OF NYSTROM. ANY REPRODUCTION IN PART OR AS A WHOLE WITHOUT THE WRITTEN PERMISSION OF NYSTROM IS PROHIBITED.



DETAIL D



SECTION C-C

				TITLE: Smoke Vent, SmokEscape, Alum, Mill,	
9300 73rd Avenue North Minneapolis, MN 55428					
	NAME	DATE	SIZE	DWG. NO.	REV
DRAWN	ELW	4/15/14	A		A
RELEASED	ELW	4/15/14	WEIGHT: VARIES		SHEET 2 OF 2