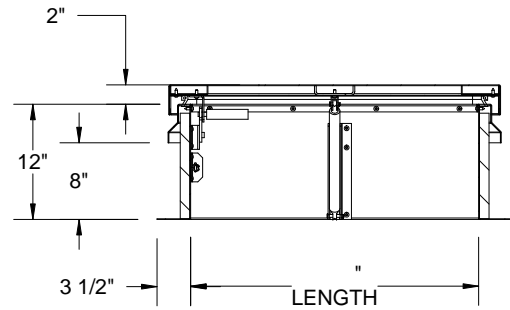
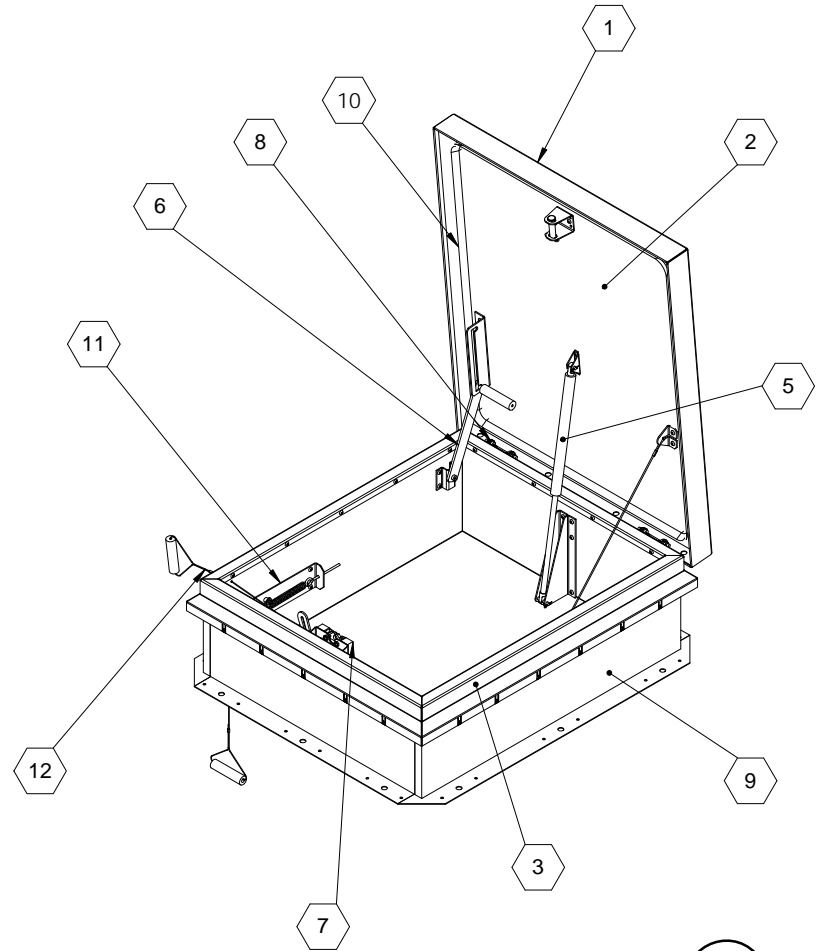


SECTION B-B



SECTION A-A



SPECIFICATIONS:

- ① **COVER:** 14 GAUGE GALVANNEAL COVER STIFFENED TO WITHSTAND A LIVE LOAD OF 40 PSF WITH A MAX DEFLECTION OF 1/150 OF THE SPAN
- ② **LINER:** 22 GAUGE GALVANNEAL
- ③ **CURB AND COUNTERFLASH W/ EZ TAB:** 14 GAUGE GALVANNEAL
- ④ **FINISH:** COVER- POWDER COAT PAINT, ANSI 70 GRAY
CURB- POWDER COAT PAINT, ANSI 70 GRAY
- ⑤ **GAS SPRING WITH DAMPER:** DESIGNED TO OPEN AGAINST A 10PSF SNOW LOAD IN NOT LESS THAN 2 SECONDS
- ⑥ **HOLD OPEN ARM:** LOCK COVER IN FULLY OPEN POSITION - ZINC PLATED STEEL
- ⑦ **LATCH:** ZINC PLATED ROTARY LATCH ASSEMBLY DESIGNED TO HOLD COVERS CLOSED AGAINST 30 PSF WIND UPLIFT ZINC PLATED STEEL LATCH STRIKERS ON COVERS

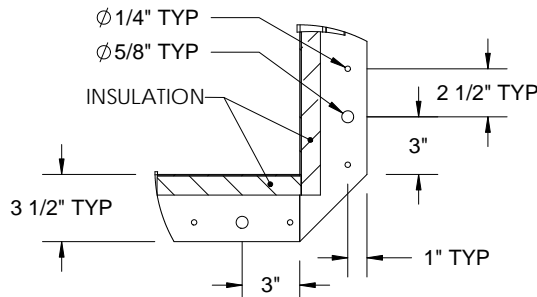
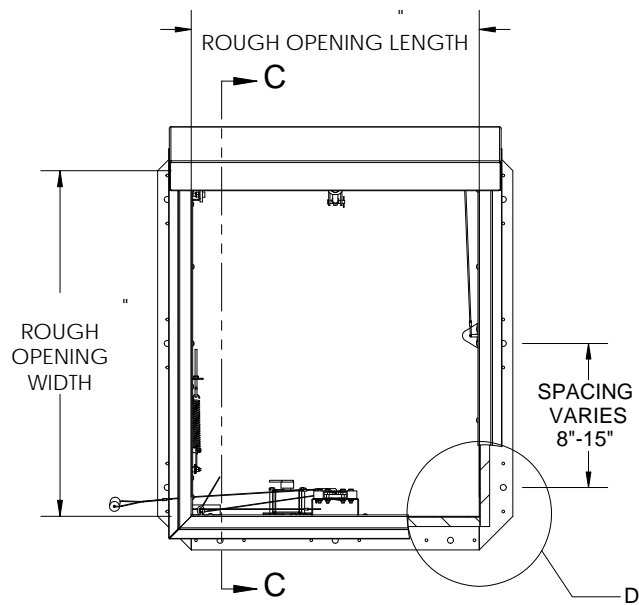
- ⑧ **HINGES:** ZINC PLATED STEEL WITH STAINLESS STEEL HINGE PINS
- ⑨ **INSULATION:** 1" POLYISOCYANURATE IN COVER AND AROUND CURB PERIMETER, R-VALUE 6
- ⑩ **GASKET:** ADHESIVE BACKED EPDM RUBBER EXTRUSION
- ⑪ **THERMAL RELEASE MECHANISM:** VENT COVERS OPEN THERMALLY BY HEAT AT FUSIBLE LINK TEMPERATURE °F
- ⑫ **MANUAL OPENING:** VENT COVERS OPEN WITH INTERNAL AND EXTERNAL MANUAL PULL HANDLE, 1/16" DIA SST CABLE
- ⑬ **ELECTRICAL RELEASE:** VENT COVERS OPEN ELECTRICALLY WHEN ENERGIZED WITH

SMOKE VENT SIZE (WIDTH) x (LENGTH)
EFFECTIVE VENTING AREA 90% FT²

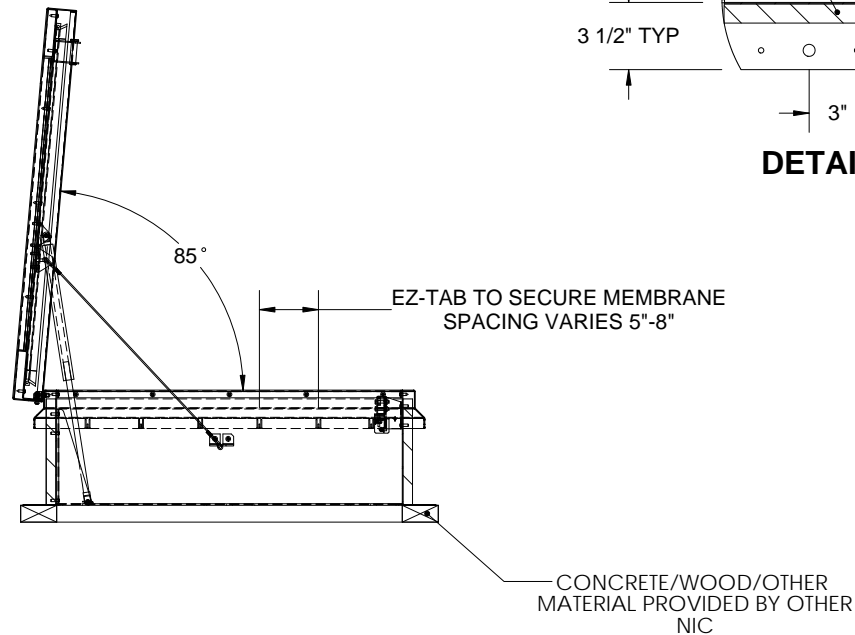


PROJECT:			
ARCHITECT:			
CONTRACTOR:			
QTY:			
PART#:		SVSG	X S1 R
 9300 73rd Avenue North Minneapolis, MN 55428		TITLE: Smoke Vent SmokEscape Series Galvanneal, Sngl Dr, Sngl Wall Curb	
NAME	DATE	SIZE	DWG. NO.
DRAWN: BMH	05/04/11	A	SVSG_X_S1_ _R
RELEASED: DS	05/04/11	WEIGHT: VARIES	

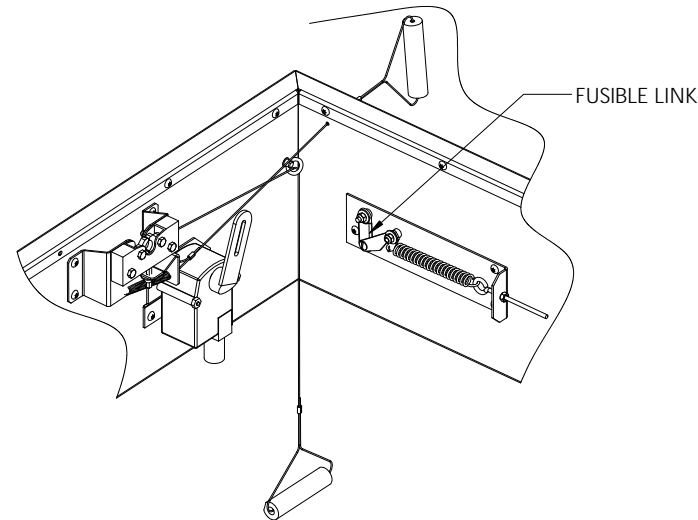
PROPRIETARY AND CONFIDENTIAL: THE INFORMATION CONTAINED IN THIS DRAWING IS THE SOLE PROPERTY OF NYSTROM. ANY REPRODUCTION IN PART OR AS A WHOLE WITHOUT THE WRITTEN PERMISSION OF NYSTROM IS PROHIBITED.



DETAIL D



SECTION C-C



SMOKE VENT COVER OPENS WHEN ACTIVATED BY:

A. THERMAL RELEASE MECHANISM: RELEASED BY HEAT WITH A UL LISTED FUSIBLE LINK AT TEMPERATURE °F

OPTIONS: 165°F, 212°F, 280°F, 350°F, 360°F, 370°F, 386°F, 450°F

B. MANUAL OPENING: RELEASED BY EXTERNAL AND INTERNAL PULL CABLES WITH HANDLES AND 5FT OF INTERNAL CABLE PROVIDED

C. ELECTRICAL RELEASE: RELEASED BY A 2.5 WATT UL LISTED ROTARY ACTUATOR WHEN ENERGIZED TO 24VDC

SMOKE VENT COVER CLOSED MANUALLY FROM ROOFTOP

PROPRIETARY AND CONFIDENTIAL: THE INFORMATION CONTAINED IN THIS DRAWING IS THE SOLE PROPERTY OF NYSTROM. ANY REPRODUCTION IN PART OR AS A WHOLE WITHOUT THE WRITTEN PERMISSION OF NYSTROM IS PROHIBITED.

			TITLE: Smoke Vent SmokEscape Series Galvanneal, Sngl Dr, Sngl Wall Curb		
9300 73rd Avenue North Minneapolis, MN 55428			SIZE	DWG. NO.	REV
DRAWN	NAME	DATE	A	SVSG_X_S1_ _R	A
RELEASED	DS	05/04/11	WEIGHT: VARIES	SHEET 2 OF 2	