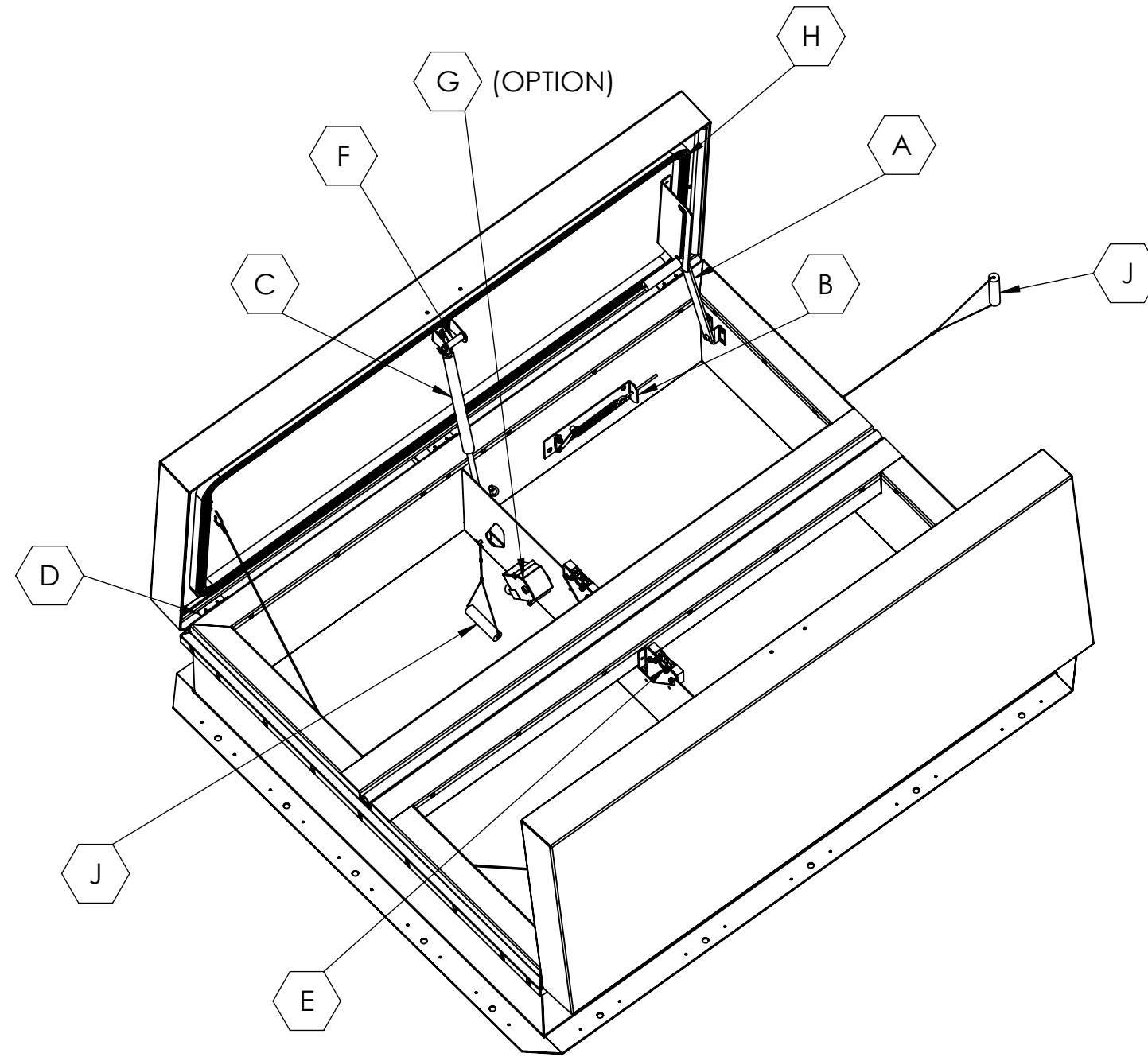


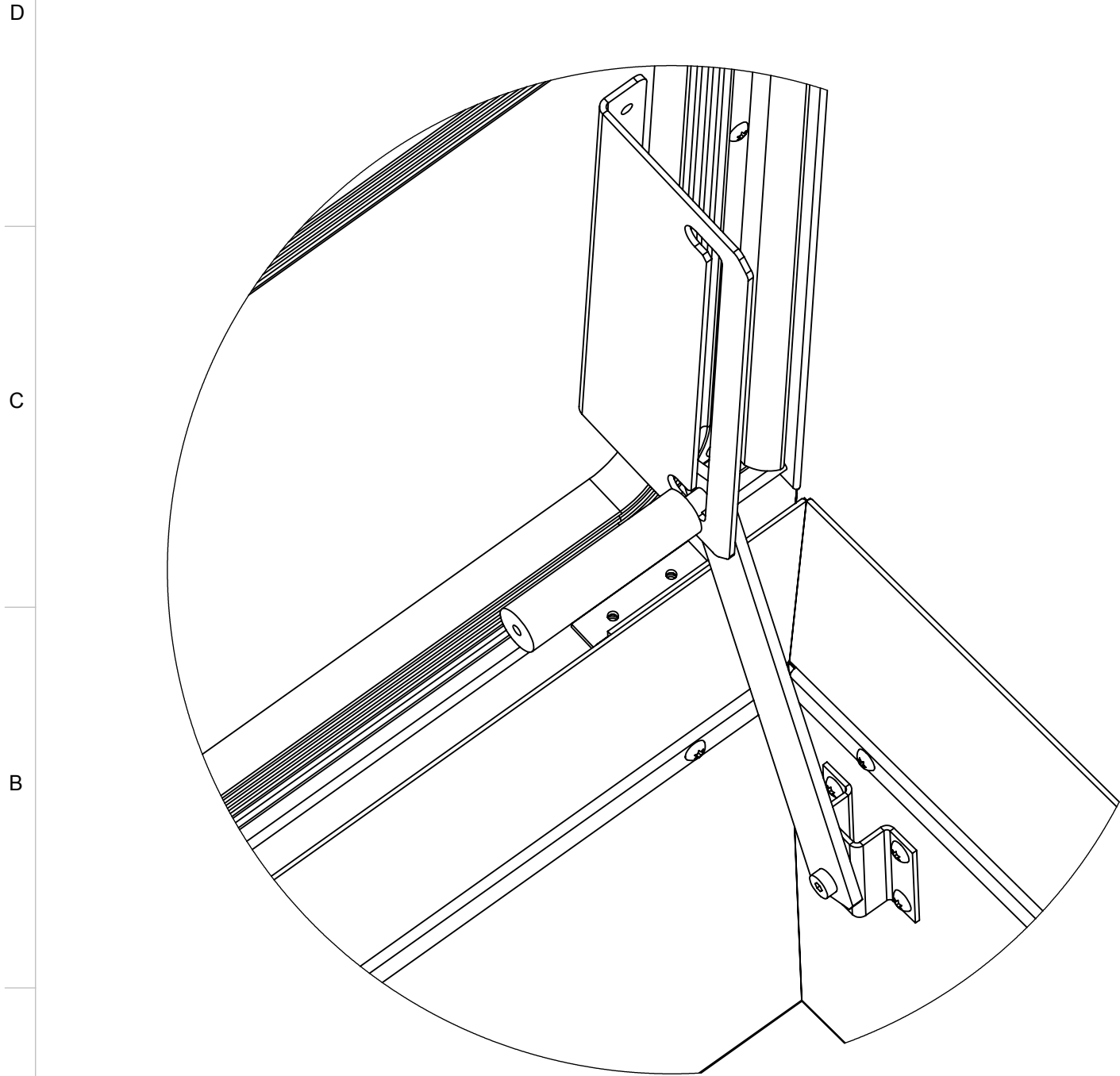
DETAIL	SHEET	DESCRIPTION
A	2	HOA
B	3	THERMAL RELEASE
C	4	GAS SPRING
D	5	HINGE
E	6	ROTARY LATCH
F	7	LATCH PIN
G	8	ELECTRICAL RELEASE
H	9	GASKET
J	10	MANUAL PULLS
	11	TOUCH UP PAINT
	12	MANUAL WINCH
	13	RIGGING



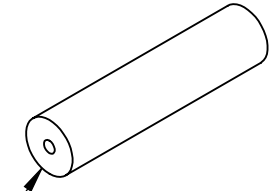
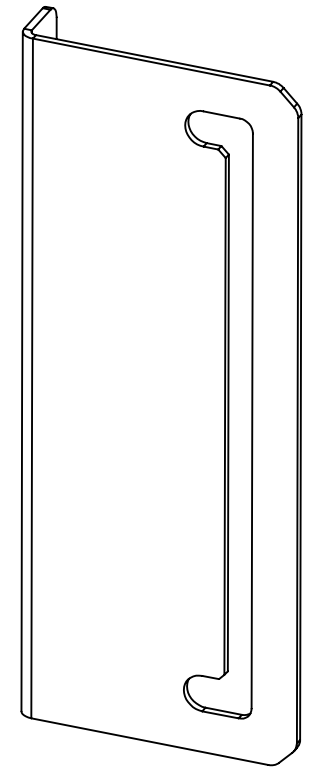
			TITLE: Smoke Vent, Acoustical STC48, 48x60, Dbl Dr, Galv Steel, Black Pwd, Gray Pwd Cvr Ext, Dbl Wall Curb		
9300 73rd Avenue North Minneapolis, MN 55428			SIZE	DWG. NO.	REV
DRAWN	SGS	4/15/14	B	SVX-KIT-RETRO	-
RELEASED	ELW	4/15/14			
			WEIGHT: Weight		SHEET 1 OF 13

PROPRIETARY AND CONFIDENTIAL: THE INFORMATION CONTAINED IN THIS DRAWING IS THE SOLE PROPERTY OF NYSTROM. ANY REPRODUCTION IN PART OR AS A WHOLE WITHOUT THE WRITTEN PERMISSION OF NYSTROM IS PROHIBITED.

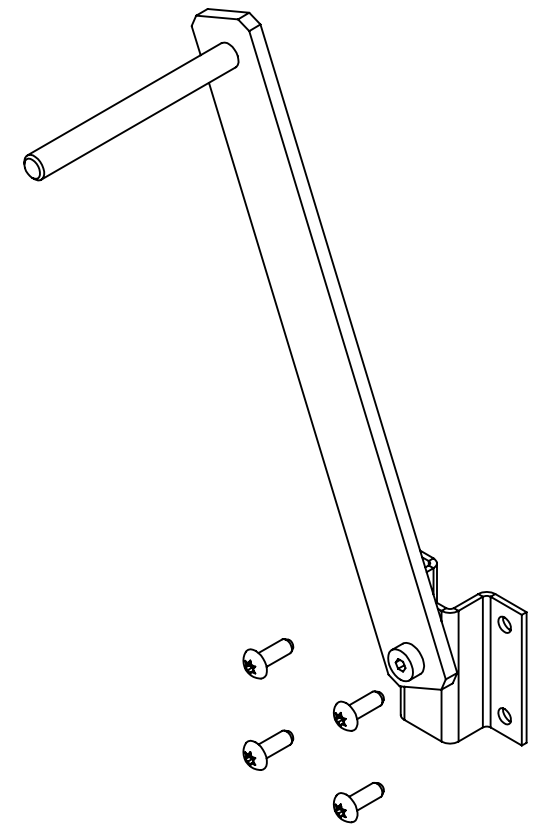
8	7	6	5	4	3	2	1
REPLACEMENT PART NUMBER	DESCRIPTION						
SVX-KIT-HOA	PKG, HOA, ACOUSTICAL, RED HANDLE, ALUM						



FACTORY INSTALLED VIEW




BEFORE ATTACHING TO FRAME
PUT HANDLE THROUGH HOA
SLOT ON THE COVER BRACKET

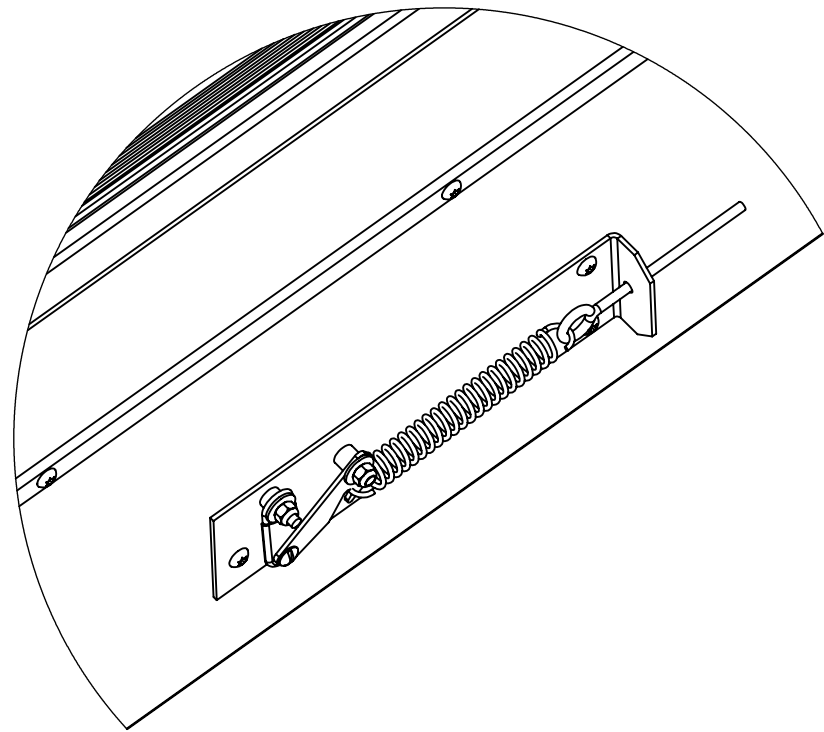


REPLACEMENT PART VIEW

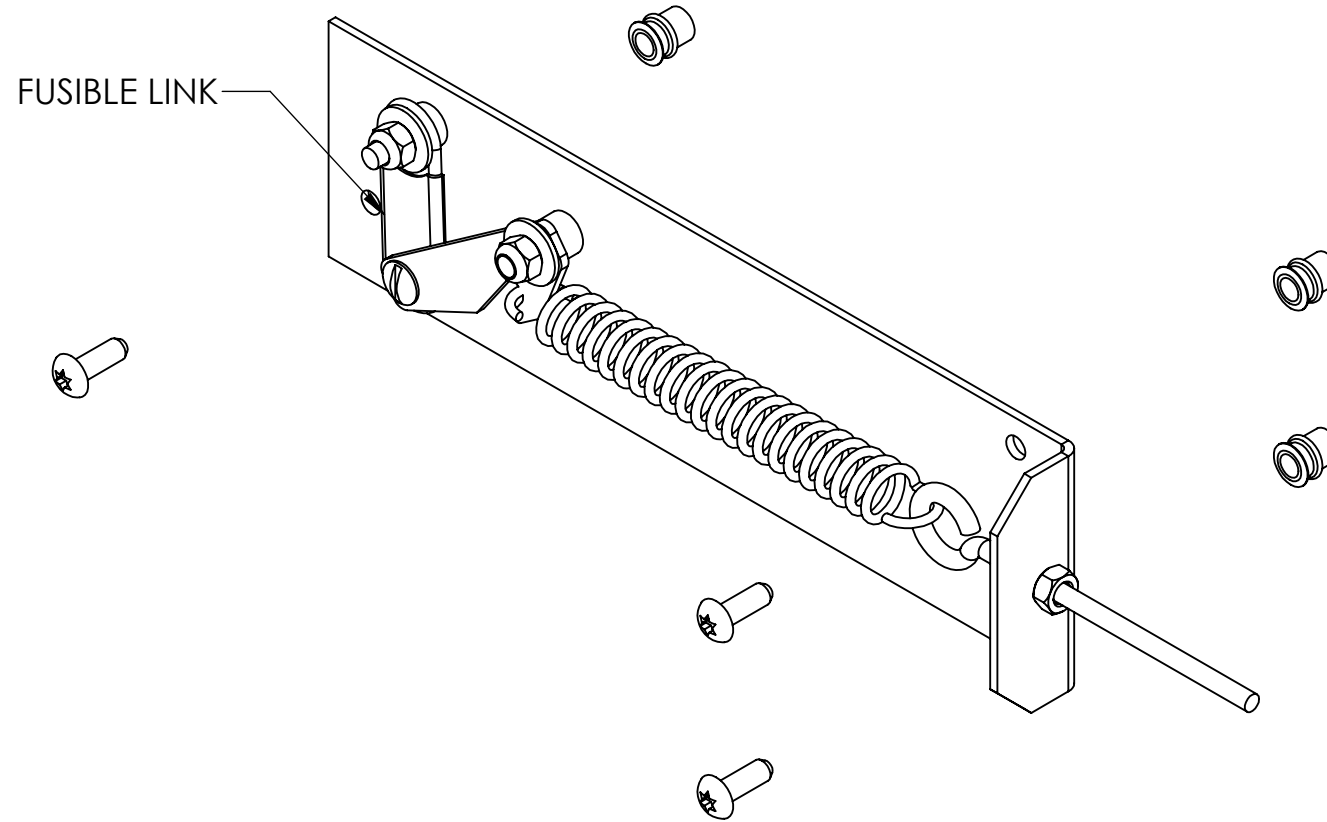
REPLACEMENT HOA

 9300 73rd Avenue North Minneapolis, MN 55428			TITLE:		
			Smoke Vent, Acoustical STC48, 48x60, Dbl Dr, Galv Steel, Black Pwd, Gray Pwd Cvr Ext, Dbl Wall Curb		
	NAME	DATE	SIZE	DWG. NO.	REV
DRAWN	SGS	4/15/14	B	SVX-KIT-RETRO	-
RELEASED	ELW	4/15/14	WEIGHT: Weight		SHEET 2 OF 13

REPLACEMENT PART NUMBER	DESCRIPTION
SV-KIT-THERMAL-ALUM	PKG, ASSY, AUTO LATCH MECH, 165 ALUM
SV-KIT-THERMAL-STEEL	PKG, ASSY, AUTO LATCH MECH, 165 STEEL
SV-KIT-LINK-165	LINK, FUSIBLE, 165F RATING
SV-KIT-LINK-212	LINK, FUSIBLE, 212F RATING
SV-KIT-LINK-280	LINK, FUSIBLE, 280F RATING
SV-KIT-LINK-350	LINK, FUSIBLE, 350F RATING
SV-KIT-LINK-360	LINK, FUSIBLE, 360F RATING
SV-KIT-LINK-370	LINK, FUSIBLE, 370F RATING
SV-KIT-LINK-386	LINK, FUSIBLE, 386F RATING
SV-KIT-LINK-450	LINK, FUSIBLE, 450F RATING




FACTORY INSTALLED VIEW



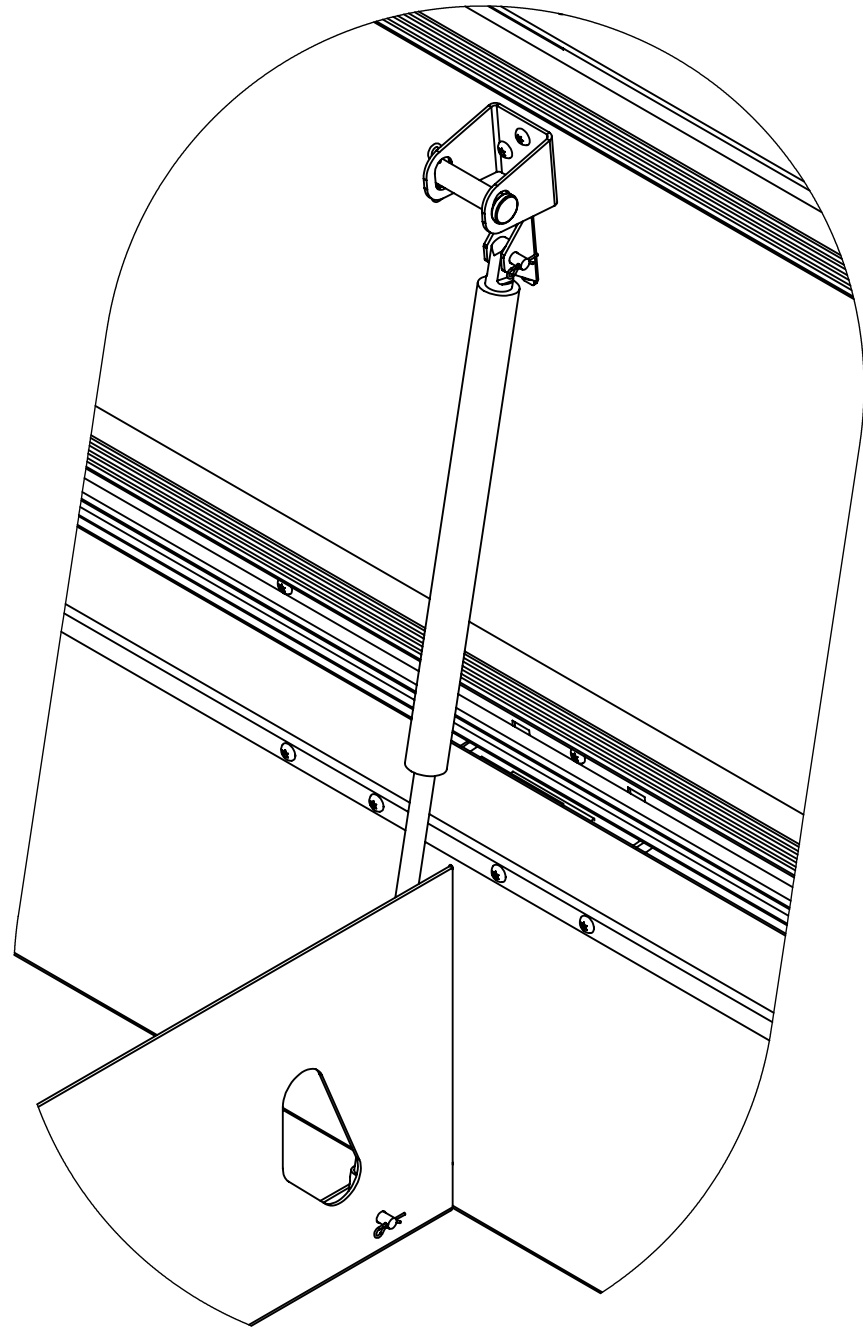
REPLACEMENT PART VIEW
(SV-KIT-THERMAL-ALUM)

REPLACEMENT THERMAL RELEASE

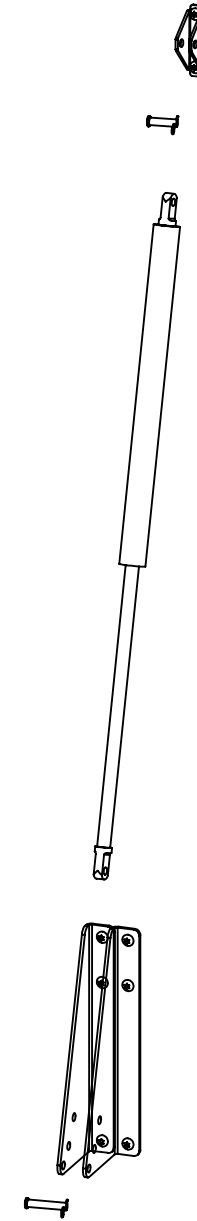
 9300 73rd Avenue North Minneapolis, MN 55428		TITLE: Smoke Vent, Acoustical STC48, 48x60, Dbl Dr, Galv Steel, Black Pwd, Gray Pwd Cvr Ext, Dbl Wall Curb		
		NAME SGS	DATE 4/15/14	SIZE B
DRAWN ELW	RELEASED ELW	DATE 4/15/14	WEIGHT: Weight	SHEET 3 OF 13

REPLACEMENT PART NUMBER	DESCRIPTION
SV-KIT-SPRING-894	SPRING/DAMPER, GAS, COVER/CURB BRKTS, P1=894N
SV-KIT-SPRING-1460	SPRING/DAMPER, GAS, COVER/CURB BRKTS, P1=1460N

D *CONSULT MANUFACTURER FOR THE TYPE AND QUANTITY OF SPRINGS BASED ON THE SIZE AND SERIES OF SMOKE VENT




FACTORY INSTALLED VIEW

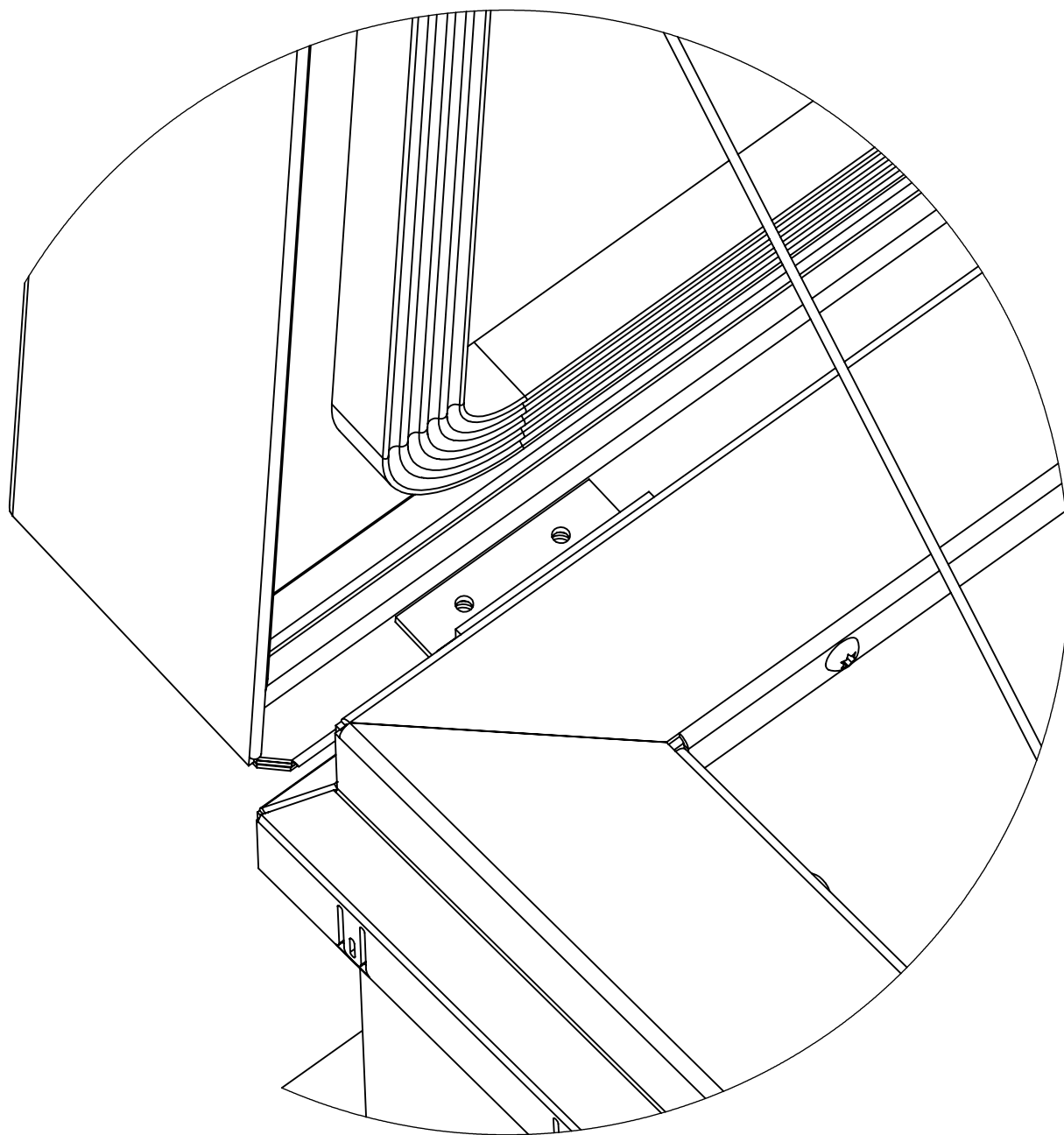


REPLACEMENT PART VIEW

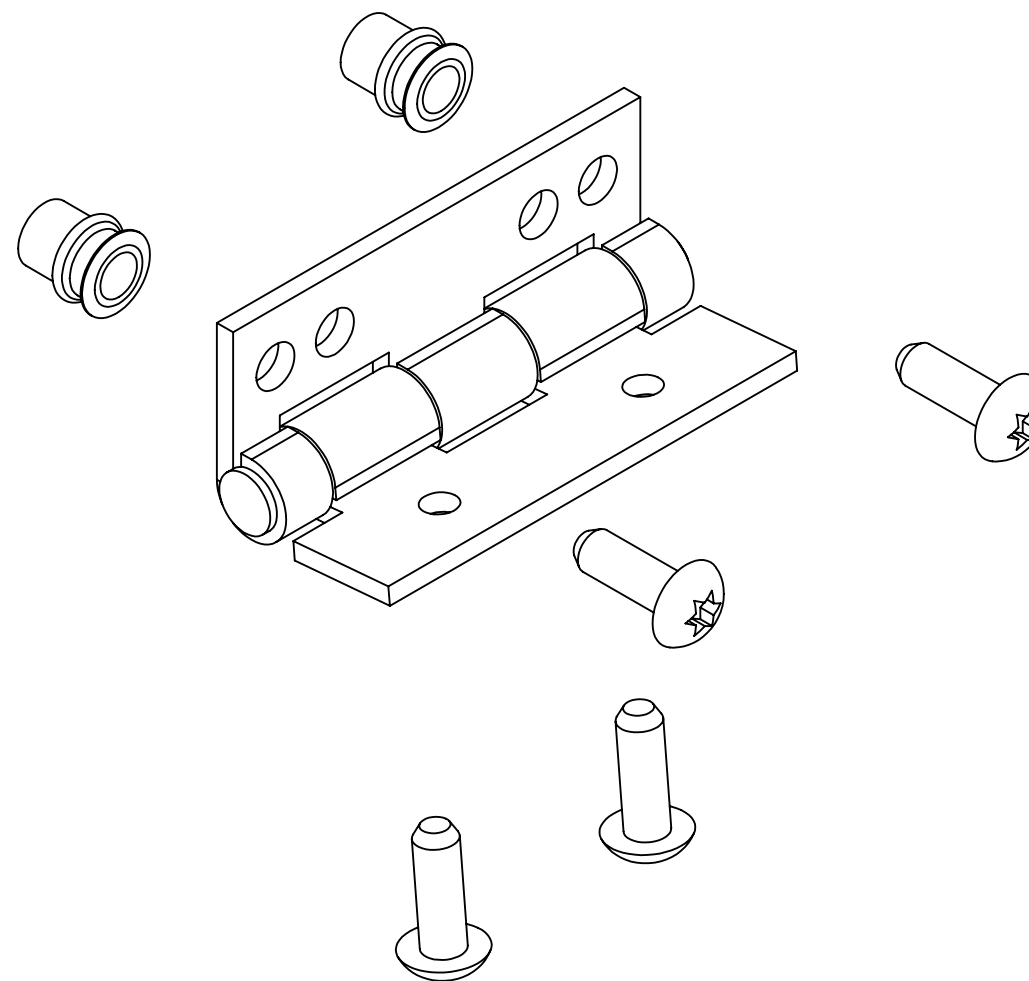
REPLACEMENT SPRING

 9300 73rd Avenue North Minneapolis, MN 55428			TITLE:		
			Smoke Vent, Acoustical STC48, 48x60, Dbl Dr, Galv Steel, Black Pwd, Gray Pwd Cvr Ext, Dbl Wall Curb		
	NAME	DATE	SIZE	DWG. NO.	REV
DRAWN	SGS	4/15/14	B	SVX-KIT-RETRO	-
RELEASED	ELW	4/15/14			
			WEIGHT: Weight	SHEET 4 OF 13	

REPLACEMENT PART NUMBER	DESCRIPTION
SVX-KIT-HINGE	PKG, HINGE ASSY, STC SMOKE VENT



FACTORY INSTALLED VIEW

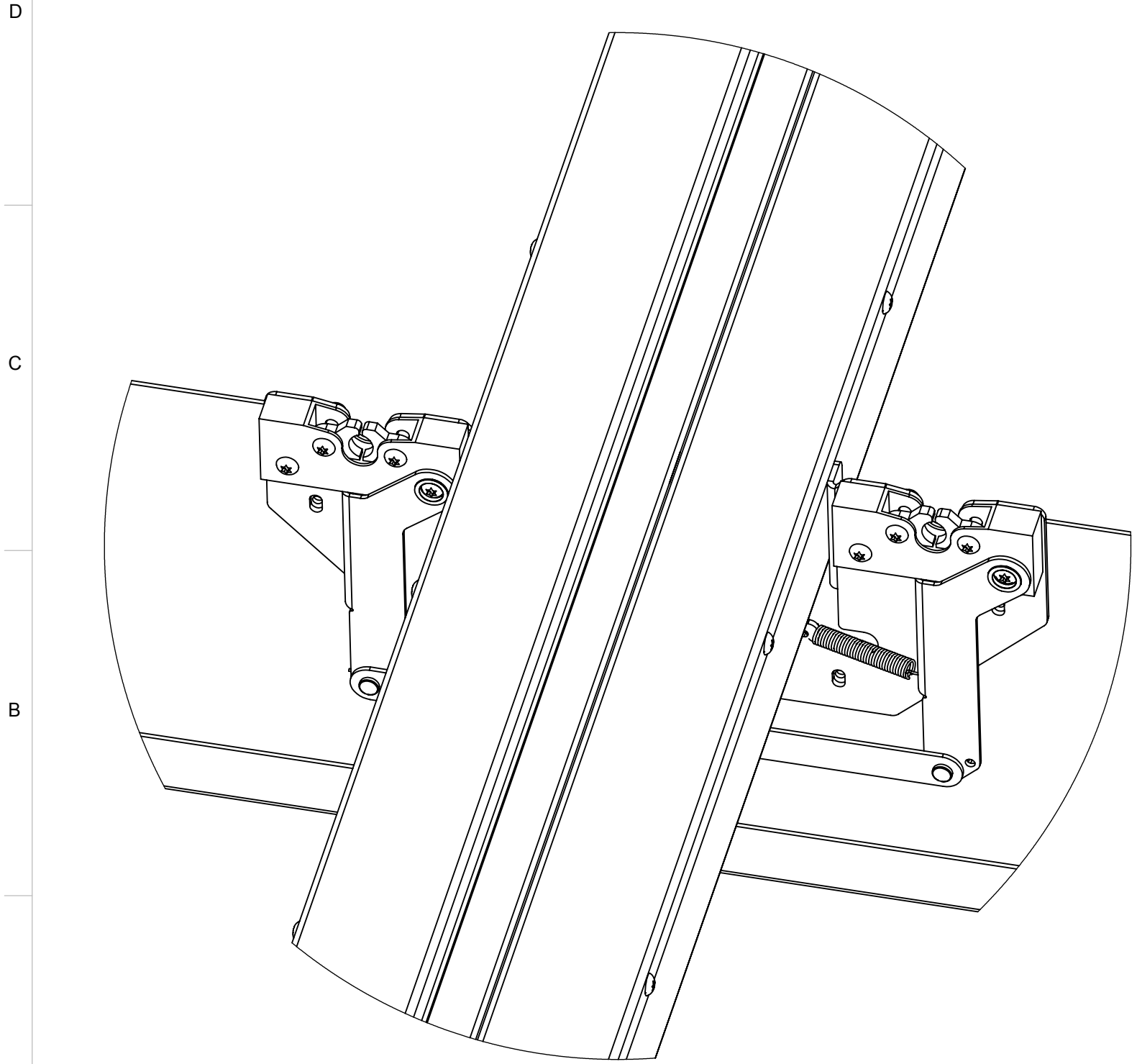


REPLACEMENT PART VIEW

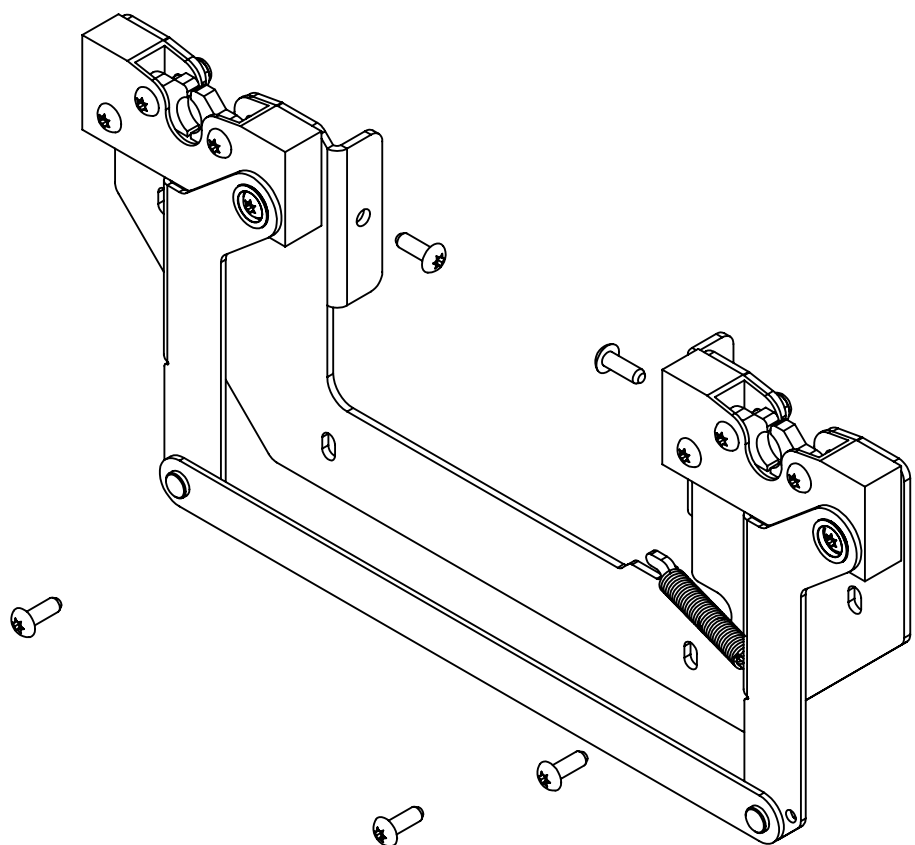
REPLACEMENT HINGE

		TITLE: Smoke Vent, Acoustical STC48, 48x60, Dbl Dr, Galv Steel, Black Pwd, Gray Pwd Cvr Ext, Dbl Wall Curb				
9300 73rd Avenue North Minneapolis, MN 55428		NAME	DATE	SIZE	DWG. NO.	REV
DRAWN	SGS	4/15/14		B	SVX-KIT-RETRO	-
RELEASED	ELW	4/15/14		WEIGHT: Weight		

8	7	6	5	4	3	2	1
REPLACEMENT PART VIEW	DESCRIPTION						
SVX-KIT-ROTARYLATCH	PKG, LATCH, ROTARY, DBL, STC						




FACTORY INSTALLED VIEW

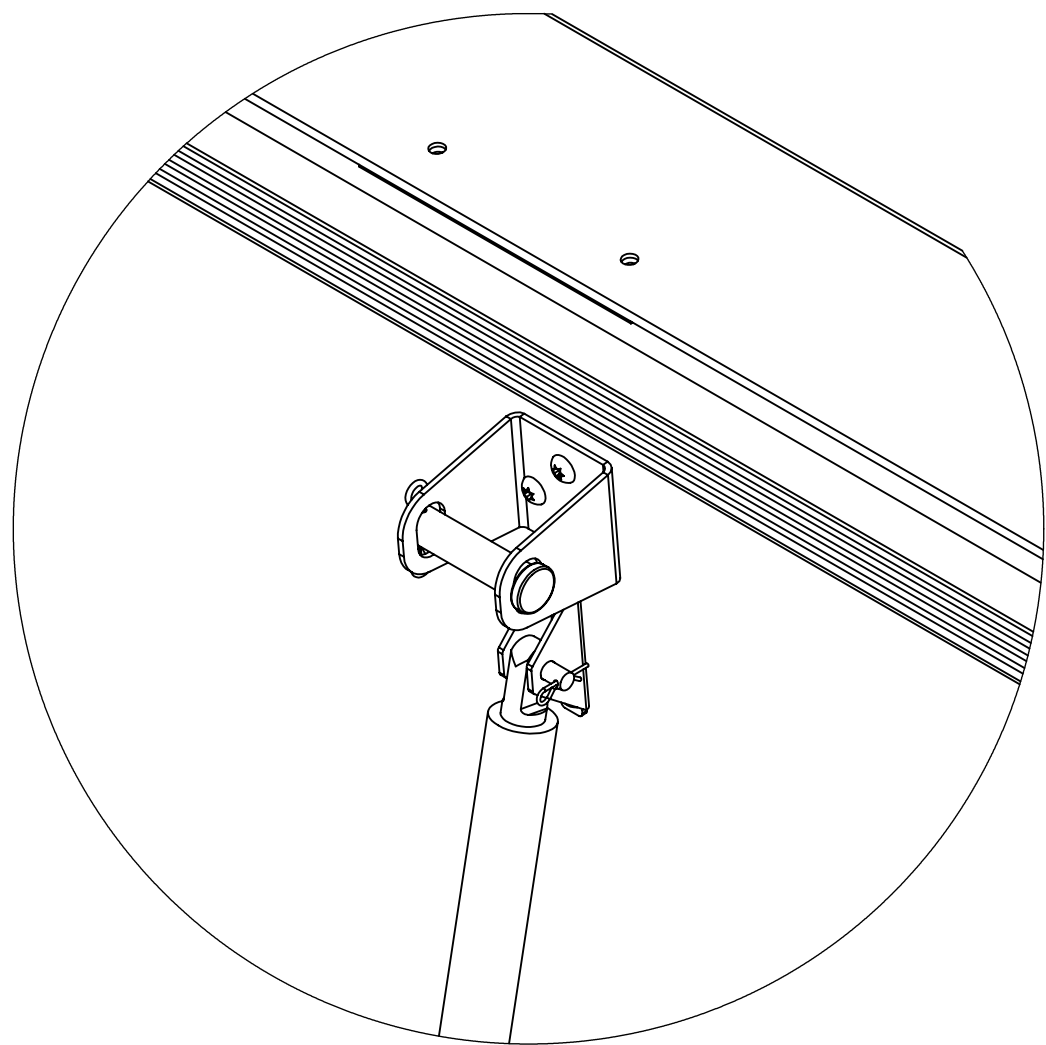


REPLACEMENT PART VIEW

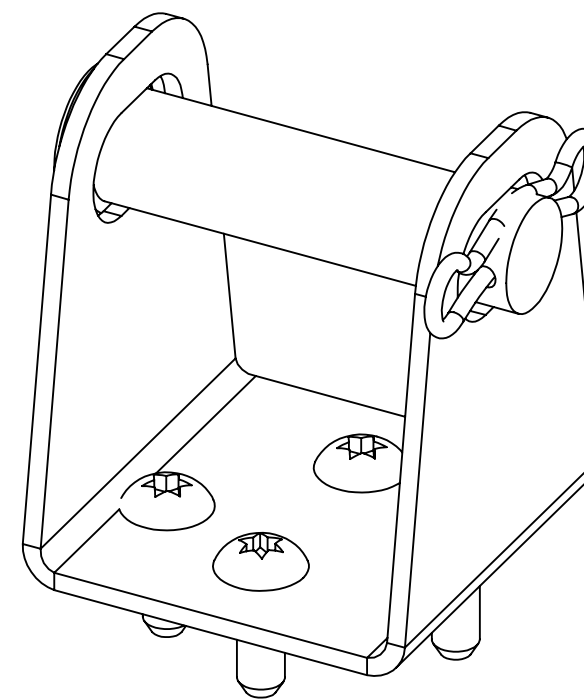
REPLACEMENT LATCH

 9300 73rd Avenue North Minneapolis, MN 55428			TITLE:		
			Smoke Vent, Acoustical STC48, 48x60, Dbl Dr, Galv Steel, Black Pwd, Gray Pwd Cvr Ext, Dbl Wall Curb		
DRAWN	SGS	4/15/14	SIZE	DWG. NO.	REV
RELEASED	ELW	4/15/14	B	SVX-KIT-RETRO	-
			WEIGHT: Weight	SHEET 6 OF 13	

8	7	6	5	4	3	2	1
REPLACEMENT PART NUMBER	DESCRIPTION						
SV-KIT-LATCHPIN	PKG, ASSY, LATCH PIN						



FACTORY INSTALLED VIEW

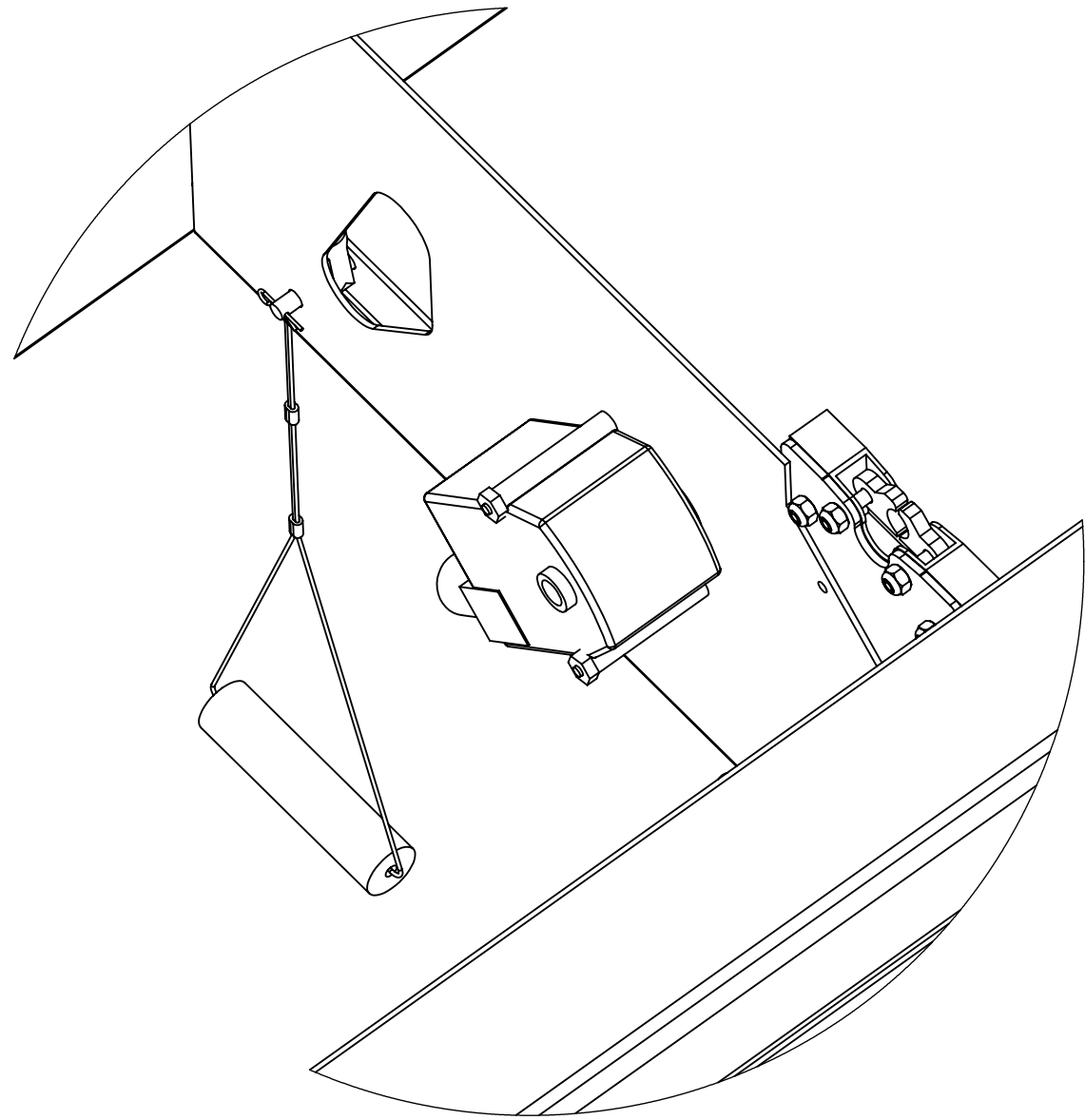


REPLACEMENT PART VIEW

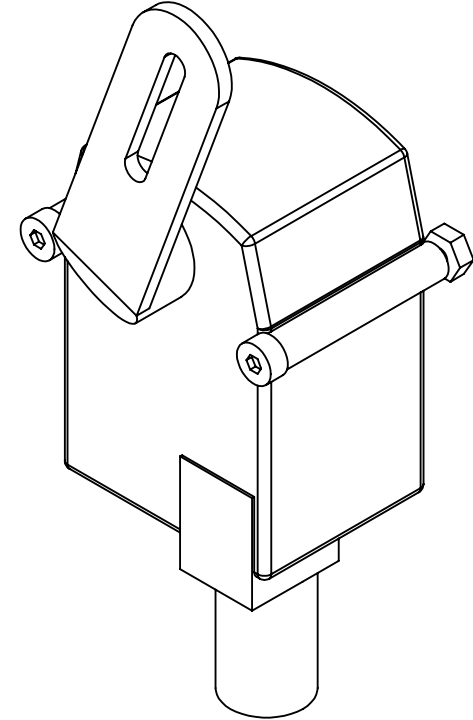
REPLACEMENT LATCH PIN

 9300 73rd Avenue North Minneapolis, MN 55428			TITLE:		
			Smoke Vent, Acoustical STC48, 48x60, Dbl Dr, Galv Steel, Black Pwd, Gray Pwd Cvr Ext, Dbl Wall Curb		
	NAME	DATE	SIZE	DWG. NO.	REV
DRAWN	SGS	4/15/14	B	SVX-KIT-RETRO	-
RELEASED	ELW	4/15/14	WEIGHT: Weight		SHEET 7 OF 13

REPLACEMENT PART NUMBER	DESCRIPTION
SV-KIT-ELECTRIC-D-24	PKG, ELECTRICAL RELEASE, 24VDC/VAC, STC
SV-KIT-ELECTRIC-D-110	PKG, ELECTRICAL RELEASE, 120/240VAC, STC




FACTORY INSTALLED VIEW
(STC DOUBLE DOOR)

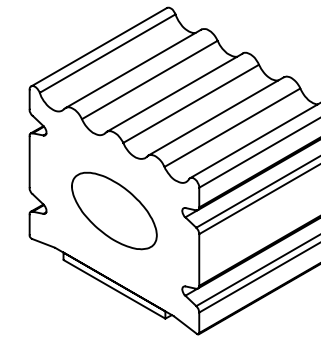
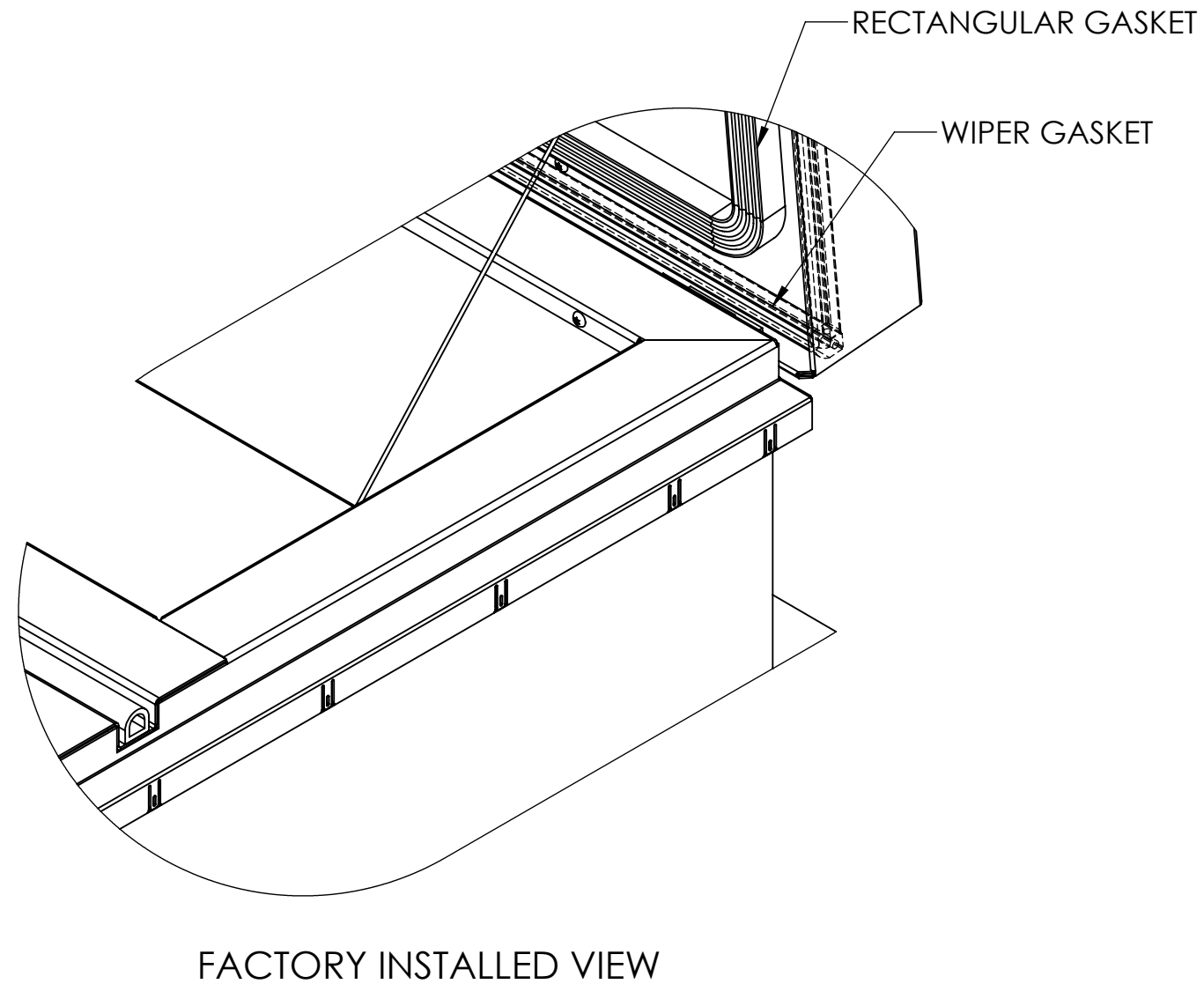


REPLACEMENT PART VIEW
(SVX-KIT-ELECTRIC-D-24)

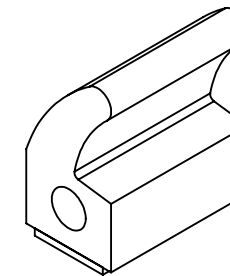
REPLACEMENT ELECTRIC

		TITLE: Smoke Vent, Acoustical STC48, 48x60, Dbl Dr, Galv Steel, Black Pwd, Gray Pwd Cvr Ext, Dbl Wall Curb		
9300 73rd Avenue North Minneapolis, MN 55428		NAME	DATE	SIZE DWG. NO.
DRAWN	SGS	4/15/14	B SVX-KIT-RETRO	REV
RELEASED	ELW	4/15/14		-
WEIGHT: Weight			SHEET 8 OF 13	

REPLACEMENT PART NUMBER	DESCRIPTION
SV-KIT-GASKET	GASKET, RH, SV, WIPER SEAL
SVX-KIT-GASKET-STC1	GASKET, RECTANGULAR, STC



RECTANGULAR GASKET
(SVX-KIT-GASKET-STC1)



WIPER GASKET
(SV-KIT-GASKET)

REPLACEMENT PART VIEW

REPLACEMENT GASKET

 9300 73rd Avenue North Minneapolis, MN 55428		TITLE: Smoke Vent, Acoustical STC48, 48x60, Dbl Dr, Galv Steel, Black Pwd, Gray Pwd Cvr Ext, Dbl Wall Curb			
		NAME	DATE	SIZE	DWG. NO.
DRAWN	SGS	4/15/14	B	SVX-KIT-RETRO	-
RELEASED	ELW	4/15/14			WEIGHT: Weight

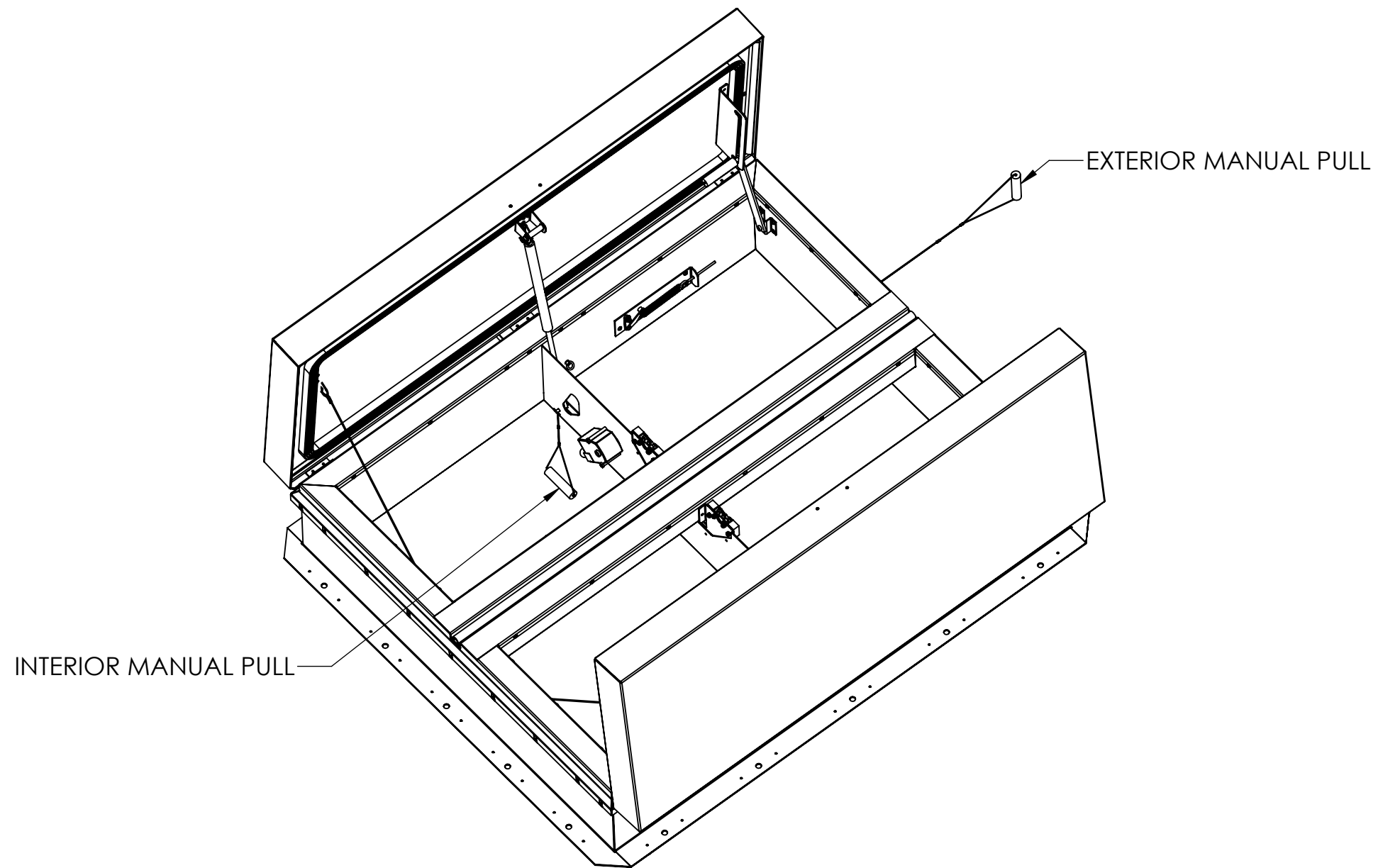
REPLACEMENT PART NUMBER	DESCRIPTION
SV-KIT-MANUALPULL-100	PKG, PULL HANDLE, 100FT, SV
SV-KIT-MANUALPULL-50	PKG, PULL HANDLE, 50FT, SV
SV-KIT-MANUALPULL-10	PKG, PULL HANDLE, 10FT, SV

D

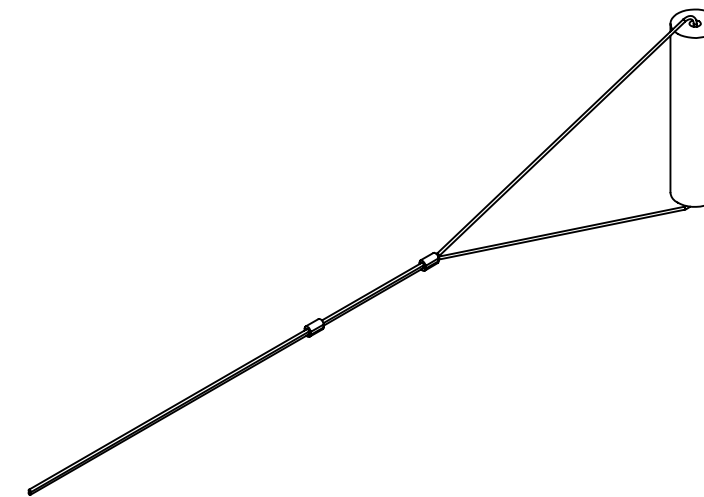
C

B

A



FACTORY INSTALLED VIEW



REPLACEMENT PART VIEW


D

C

B

A

REPLACEMENT MANUAL PULL

 <small>9300 73rd Avenue North Minneapolis, MN 55428</small>		TITLE:			Smoke Vent, Acoustical STC48, 48x60, Dbl Dr, Galv Steel, Black Pwd, Gray Pwd Cvr Ext, Dbl Wall Curb
		NAME	DATE	SIZE	DWG. NO.
DRAWN	SGS	4/15/14	B		SVX-KIT-RETRO
RELEASED	ELW	4/15/14	WEIGHT: Weight		SHEET 10 OF 13

8

7

6

5

4

3

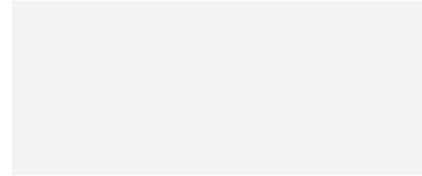
2

1

8	7	6	5	4	3	2	1
REPLACEMENT PART NUMBER	DESCRIPTION						
KIT-SPRAYPAINT-FP1	SPRAY PAINT, ANSI 70 GRAY, ACRYLIC ENAMEL RESIN, 12.8 OZ CAN						
KIT-SPRAYPAINT-FP2	SPRAY PAINT, RED OXIDE, ACRYLIC ENAMEL RESIN, 12.8 OZ CAN						
KIT-SPRAYPAINT-FP4	SPRAY PAINT, SUPER BLACK, ACRYLIC ENAMEL RESIN, 12.8 OZ CAN						
KIT-SPRAYPAINT-FP44	SPRAY PAINT, HI REFLECT WHITE, ACRYLIC ENAMEL RESIN, 12.8 OZ CAN						
KIT-SPRAYPAINT-FP48	SPRAY PAINT, SAFETY YELLOW, ACRYLIC ENAMEL RESIN, 12.8 OZ CAN						



Safety Yellow
-FP48



High Reflectance White
-FP44



Red Oxide
-FP2




ANSI 70 Gray
-FP1

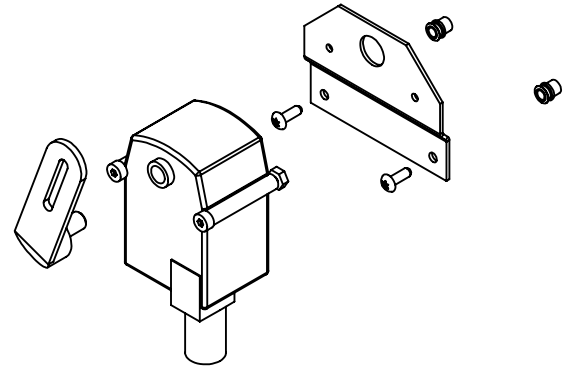


Super Black
-FP4

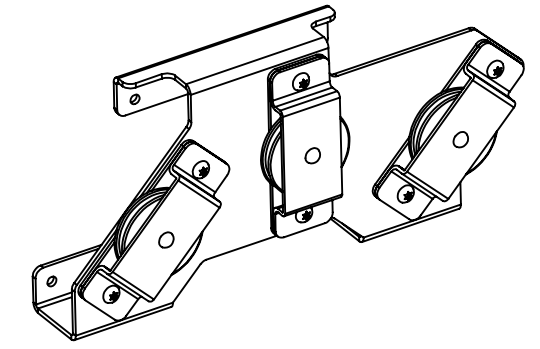
TOUCH UP SPRAY CANS

 9300 73rd Avenue North Minneapolis, MN 55428			TITLE: Smoke Vent, Acoustical STC48, 48x60, Dbl Dr, Galv Steel, Black Pwd, Gray Pwd Cvr Ext, Dbl Wall Curb		
	NAME	DATE	SIZE	DWG. NO.	REV
DRAWN	SGS	4/15/14	B	SVX-KIT-RETRO	-
RELEASED	ELW	4/15/14			WEIGHT: Weight

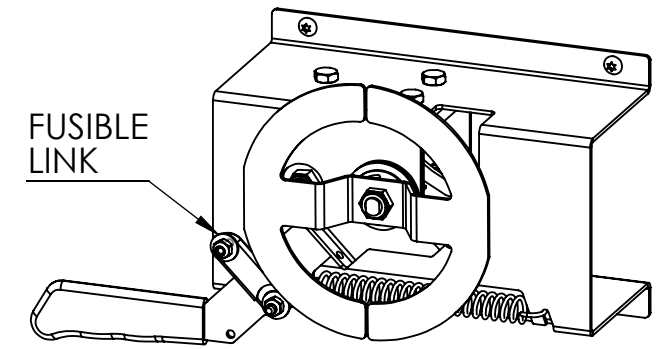
REPLACEMENT PART NUMBER	DESCRIPTION
SV-KIT-RETROWINCH	PKG, MANUAL WINCH, UL LISTED, 165F, RETRO FIT
SV-KIT-THERMAL-WINCH	PKG, ASSY, VENT LVL WINCH, DUAL ALM, 165F
SV-KIT-BRKWINCH	PKG, ASSY, FLOOR LVL WINCH, BRAKE WINCH
SV-KIT-CRBPLYGRP	PKG, ASSY, PULLEY GROUP, WINCH, MID SUPPORT
SV-KIT-CRBPLY	PKG, ASSY, PULLEY ANGLE, WINCH, CURB
SV-KIT-CVRPLY	PKG, ASSY, PULLEY, WINCH, COVER
SV-KIT-EYEBOLT	PKG, CABLE REDIRECT
SV-KIT-ELECTRIC-W-24	PKG, ELECTRICAL RELEASE, 24VDC/VAC, MANUAL WINCH
SV-KIT-ELECTRIC-W-110	PKG, ELECTRICAL RELEASE, 120/240VAC, MANUAL WINCH



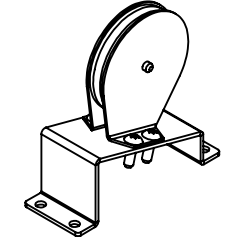
REPLACEMENT PART VIEW
(SV-KIT-ELECTRIC-W-24)



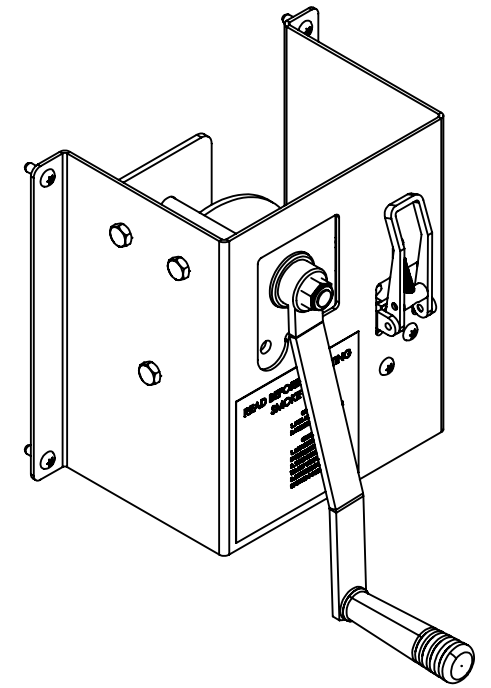
REPLACEMENT PART VIEW
(SV-KIT-CRBPLYGRP)



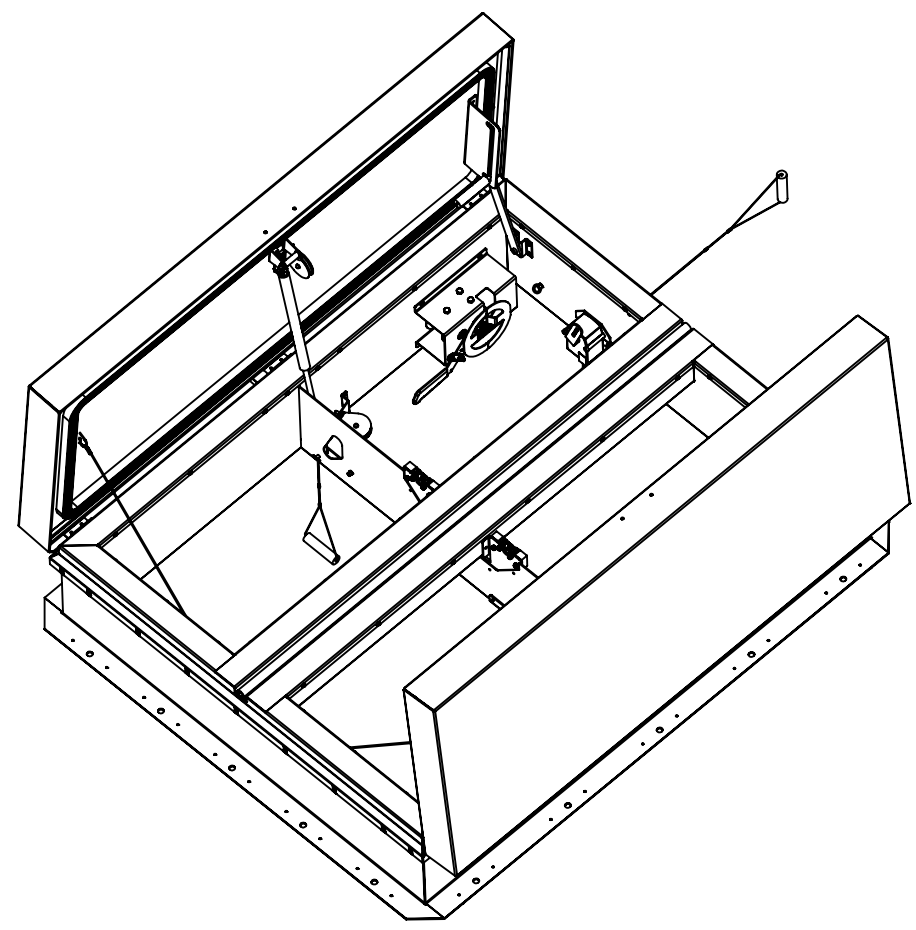
REPLACEMENT PART VIEW
(SV-KIT-THERMAL-WINCH)



REPLACEMENT PART VIEW
(SV-KIT-CRBPLY)



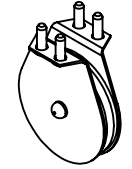
REPLACEMENT PART VIEW
(SV-KIT-BRKWINCH)



FACTORY INSTALLED VIEW



REPLACEMENT PART VIEW
(SV-KIT-EYEBOLT)

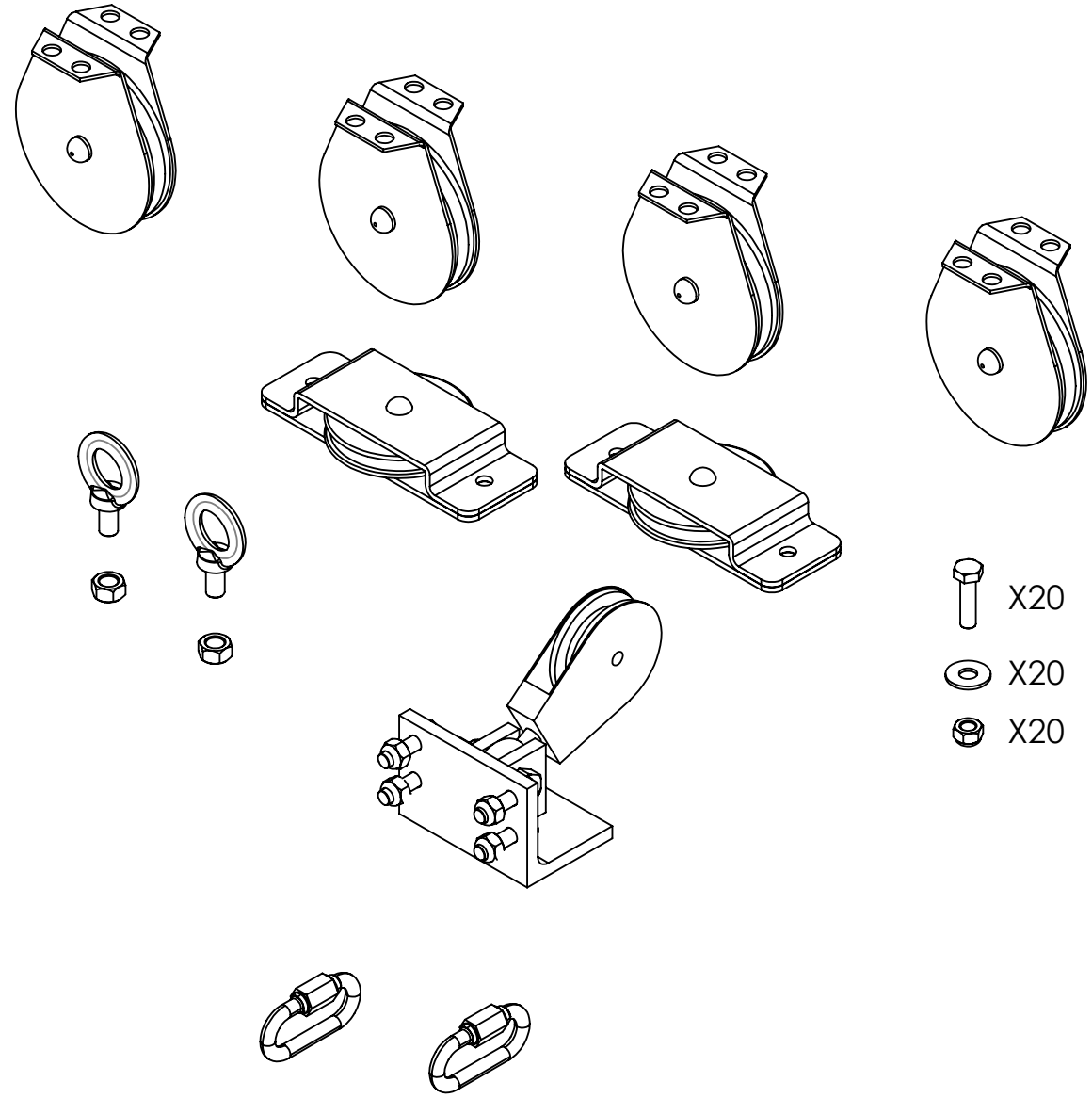


REPLACEMENT PART VIEW
(SV-KIT-CVRPLY)


REPLACEMENT MANUAL WINCH

		TITLE: Smoke Vent, Acoustical STC48, 48x60, Dbl Dr, Galv Steel, Black Pwd, Gray Pwd Cvr Ext, Dbl Wall Curb	
9300 73rd Avenue North Minneapolis, MN 55428		SIZE	DWG. NO.
DRAWN	SGS	4/15/14	B SVX-KIT-RETRO
RELEASED	ELW	4/15/14	
		WEIGHT: Weight	SHEET 12 OF 13

8	7
REPLACEMENT PART NUMBER	DESCRIPTION
SV-KIT-RIGGING	PKG, KIT, RIGGING HARDWARE



RIGGING HARDWARE

 9300 73rd Avenue North Minneapolis, MN 55428			TITLE: Smoke Vent, Acoustical STC48, 48x60, Dbl Dr, Galv Steel, Black Pwd, Gray Pwd Cvr Ext, Dbl Wall Curb		
			NAME	DATE	SIZE
DRAWN	SGS	4/15/14	B SVX-KIT-RETRO		-
RELEASED	ELW	4/15/14	WEIGHT: Weight		SHEET 13 OF 13

PROPRIETARY AND CONFIDENTIAL: THE INFORMATION CONTAINED IN THIS DRAWING IS THE SOLE PROPERTY OF NYSTROM. ANY REPRODUCTION IN PART OR AS A WHOLE WITHOUT THE WRITTEN PERMISSION OF NYSTROM IS PROHIBITED.

8

7

6

5

4

3

2

1

D

C

B

A

D

C

B

A