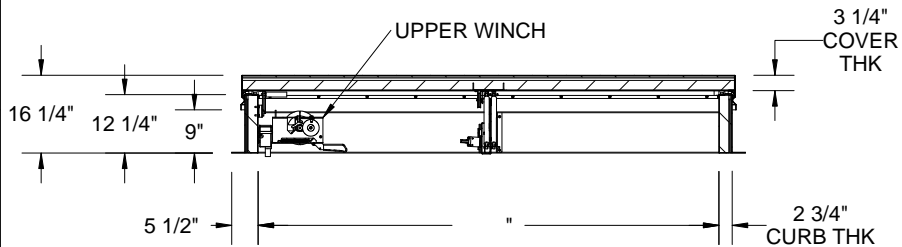
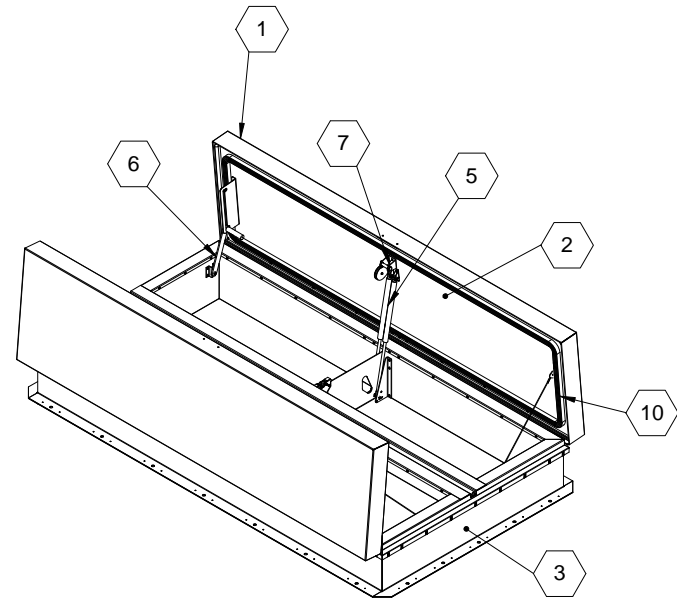
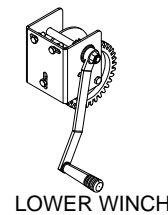


SECTION B-B



SECTION A-A



LOWER WINCH

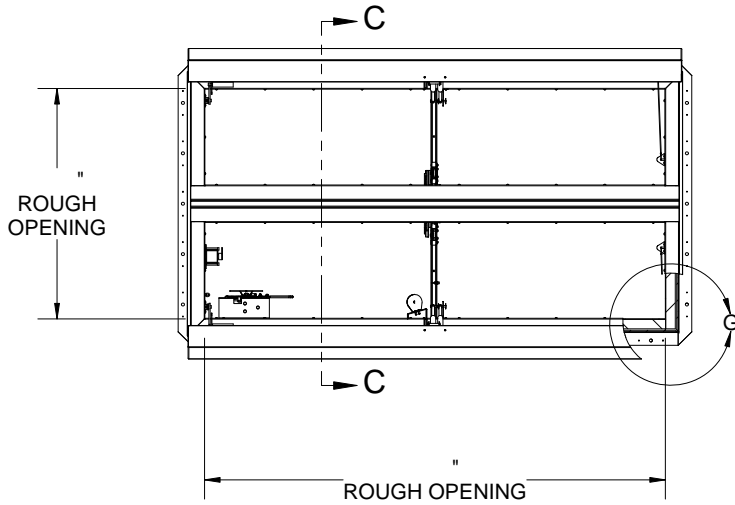
SPECIFICATIONS:

- ① COVER: 14 GAUGE GALVANNEAL COVER STIFFENED TO WITHSTAND A LIVE LOAD OF 40 PSF WITH A MAX DEFLECTION OF 1/150 OF THE SPAN
- ② LINER: 14 GAUGE GALVANNEAL
- ③ CURB AND COUNTERFLASH W/ EZ TAB: DBL WALL CURB, 14 GAUGE GALVANNEAL
- ④ FINISH: COVER - POWDER COAT, GRAY EXTERIOR, BLACK INTERIOR
CURB - POWDER COAT, BLACK
- ⑤ GAS SPRING WITH DAMPER: DESIGNED TO OPEN AGAINST A 10PSF SNOW LOAD IN NOT LESS THAN 2 SECONDS
- ⑥ HOLD OPEN ARM: LOCKS COVER IN FULLY OPEN POSITION - ZINC PLATED STEEL
- ⑦ LATCH: ZINC PLATED ROTARY LATCH ASSEMBLY DESIGNED TO HOLD COVERS CLOSED AGAINST 90 PSF WIND UPLIFT ZINC PLATED STEEL LATCH STRIKERS ON COVERS
- ⑧ HINGES: 304 STAINLESS STEEL BUTT HINGE WITH 1/4" PIN
- ⑨ INSULATION: MINERAL WOOL W/ SOUND MAT, R-VALUE 10
- ⑩ GASKETS: ADHESIVE BACKED EPDM RUBBER EXTRUSION ON CURB AND COVER
- ⑪ THERMAL RELEASE MECHANISM: VENT COVERS OPEN THERMALLY BY HEAT AT FUSIBLE LINK TEMPERATURE 165F °F
- ⑫ MANUAL OPERATION: VENT COVERS OPEN WITH EXTERNAL MANUAL PULL HANDLE, 1/16" DIA SST CABLE AND VENT COVERS OPEN AND CLOSE WITH MANUAL WINCH, 100FT 1/8" DIA CABLE
- ⑬ ELECTRICAL RELEASE: VENT COVERS OPEN ELECTRICALLY WHEN ENERGIZED WITH 24VAC/VDC, REQUIRES RESET AT ROOF LEVEL
- ⑭ BURGLAR BARS: NONE
- 15 SOUND RATING: STC48 PER ASTM E90, OITC 36 PER ASTM E1332

PROPRIETARY AND CONFIDENTIAL: THE INFORMATION CONTAINED IN THIS DRAWING IS THE SOLE PROPERTY OF NYSTROM. ANY REPRODUCTION IN PART OR AS A WHOLE WITHOUT THE WRITTEN PERMISSION OF NYSTROM IS PROHIBITED.

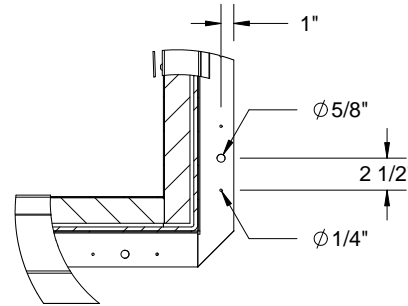
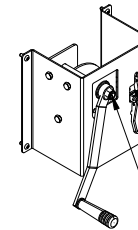
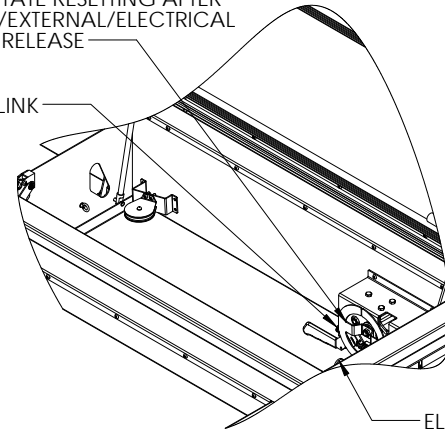


PROJECT:				
ARCHITECT:				
CONTRACTOR:				
QTY:				
PART#:				
 9300 73rd Avenue North Minneapolis, MN 55428		TITLE: Smoke Vent, Acoustical STC48, Galv Steel, Black Pwd, Gray Pwd Cvr Ext, Dbl Wall Curb		
NAME	DATE	SIZE	DWG. NO.	REV
DRAWN ELW	4/15/14	A		A
RELEASED ELW	4/15/14	WEIGHT: VARIES	SHEET 1 OF 2	

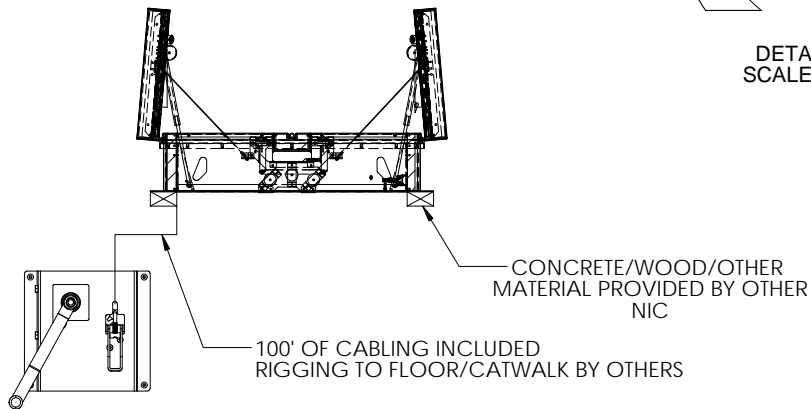


UPPER WINCH ASSEMBLY
TO FACILITATE RESETTING AFTER
THERMAL/EXTERNAL/ELECTRICAL
MANUAL RELEASE

FUSIBLE LINK



DETAIL G
SCALE 1 : 15



SECTION C-C

				TITLE: Smoke Vent, Acoustical STC48,	
9300 73rd Avenue North Minneapolis, MN 55428				Galv Steel, Black Pwd, Gray Pwd Cvr Ext, DbI Wall Curb	
	NAME	DATE	SIZE	DWG. NO.	REV
DRAWN	ELW	4/15/14	A		A
RELEASED	ELW	4/15/14	WEIGHT: VARIES		SHEET 2 OF 2