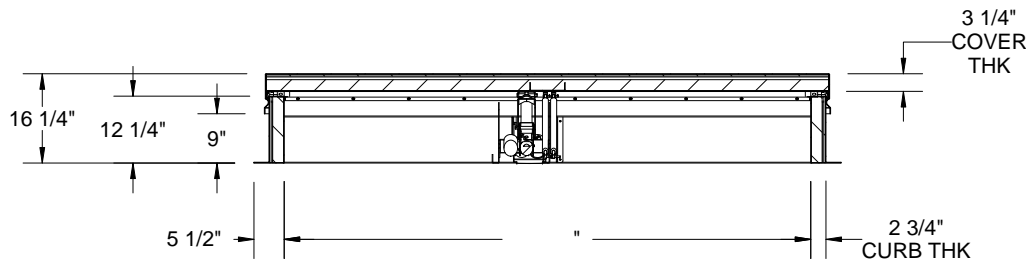
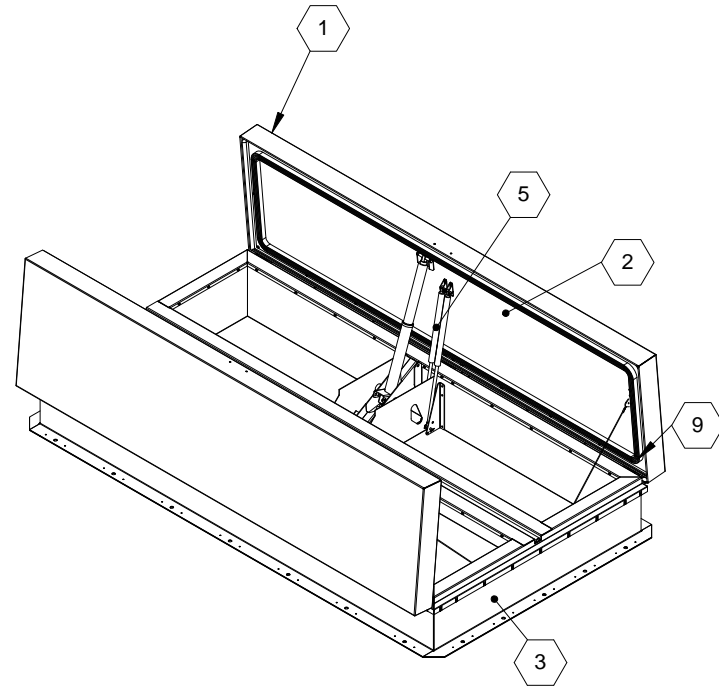


SECTION B-B




SECTION A-A

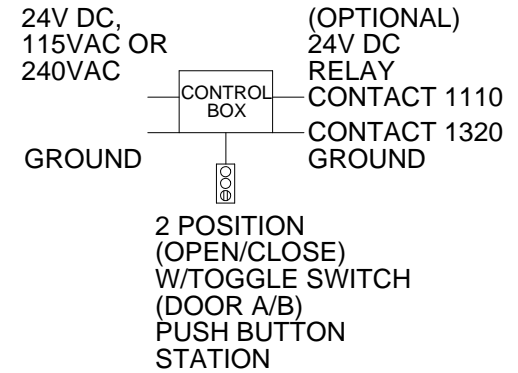
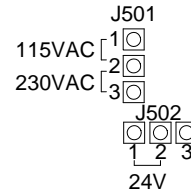
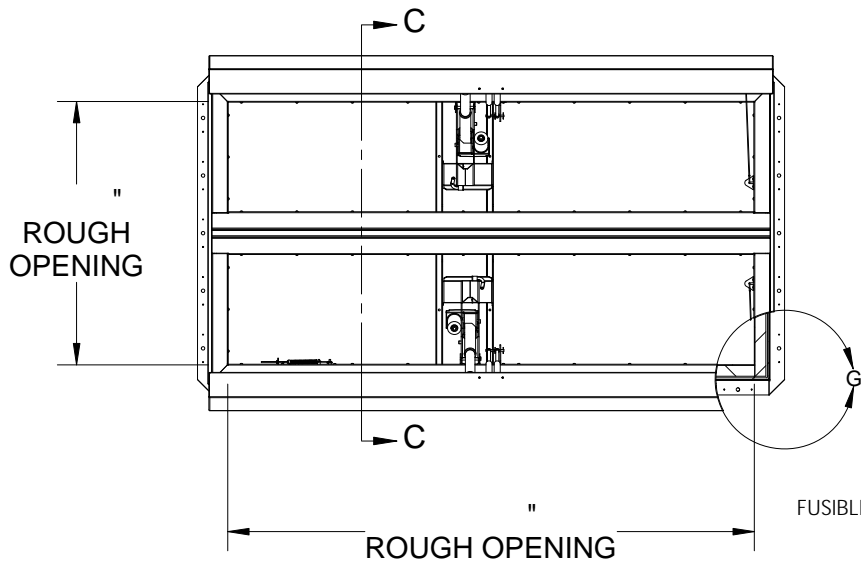
SPECIFICATIONS:

- ① **COVER:** 14 GAUGE GALVANNEAL COVER STIFFENED TO WITHSTAND A LIVE LOAD OF 40 PSF WITH A MAX DEFLECTION OF 1/150 OF THE SPAN
- ② **LINER:** 14 GAUGE GALVANNEAL
- ③ **CURB AND COUNTERFLASH W/ EZ TAB:** DBL WALL CURB, 14 GAUGE GALVANNEAL
- ④ **FINISH: COVER -** POWDER COAT, GRAY EXTERIOR, BLACK INTERIOR  
**CURB -** POWDER COAT, BLACK
- ⑤ **GAS SPRING WITH DAMPER:** DESIGNED TO OPEN AGAINST A 10PSF SNOW LOAD IN NOT LESS THAN 2 SECONDS
- ⑥ **LATCH:** ZINC PLATED ROTARY LATCH ASSEMBLY DESIGNED TO HOLD COVERS CLOSED AGAINST 90 PSF WIND UPLIFT ZINC PLATED STEEL LATCH STRIKERS ON COVERS
- ⑦ **HINGES:** 304 STAINLESS STEEL BUTT HINGE WITH 1/4" PIN
- ⑧ **INSULATION:** MINERAL WOOL W/ SOUND MAT, R-VALUE 10
- ⑨ **GASKETS:** ADHESIVE BACKED EPDM RUBBER EXTRUSION ON CURB AND COVER
- ⑩ **THERMAL RELEASE MECHANISM:** VENT COVERS OPEN THERMALLY BY HEAT AT FUSIBLE LINK TEMPERATURE 165F °F
- ⑪ **MANUAL OPERATION:** VENT COVERS OPEN WITH INTERNAL AND EXTERNAL MANUAL PULL HANDLES, 1/16" DIA SST CABLE, CLOSE VENT AT ROOFTOP
- ⑫ **ELECTRICAL RELEASE:** NONE
- ⑬ **BURGLAR BARS:** NONE
- ⑭ **SOUND RATING:** STC48 PER ASTM E90, OITC 36 PER ASTM E1332

SMOKE VENT SIZE (WIDTH) x (LENGTH)  
EFFECTIVE VENTING AREA 80%

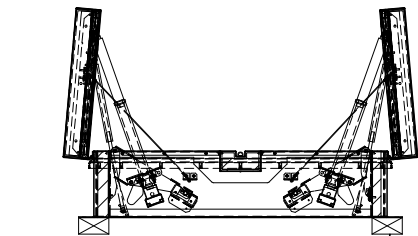
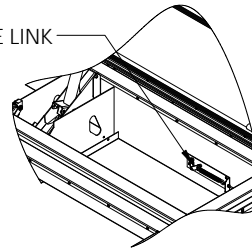
PROPRIETARY AND CONFIDENTIAL: THE INFORMATION CONTAINED IN THIS DRAWING IS THE SOLE PROPERTY OF NYSTROM. ANY REPRODUCTION IN PART OR AS A WHOLE WITHOUT THE WRITTEN PERMISSION OF NYSTROM IS PROHIBITED.

PROJECT:					
ARCHITECT:					
CONTRACTOR:					
QTY:					
PART#:					
 9300 73rd Avenue North Minneapolis, MN 55428		TITLE: Smoke Vent, Acoustical STC48, Galvn Steel, Black Pwd, Gray Pwd Cvr Ext, Dbl Wall Curb,			
		NAME	DATE	SIZE	DWG. NO.
DRAWN	ELW		A		A
RELEASED	ELW		WEIGHT: VARIES	SHEET 1 OF 2	



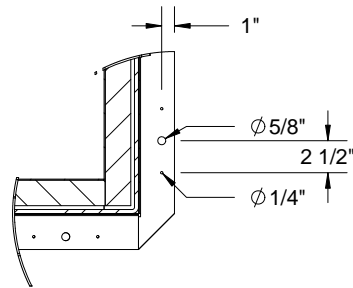
### WIRING DIAGRAM

FUSIBLE LINK



CONCRETE/WOOD/OTHER  
MATERIAL PROVIDED BY OTHER  
NIC

### SECTION C-C



DETAIL G  
SCALE 1 : 15

			TITLE: Smoke Vent, Acoustical STC48, Galvn Steel, Black Pwd, Gray Pwd Cvr Ext, Dbl Wall Curb,		
9300 73rd Avenue North Minneapolis, MN 55428					
NAME	DATE	SIZE	DWG. NO.	REV	
DRAWN	ELW	A		A	
RELEASED	ELW		WEIGHT: VARIES	SHEET 2 OF 2	