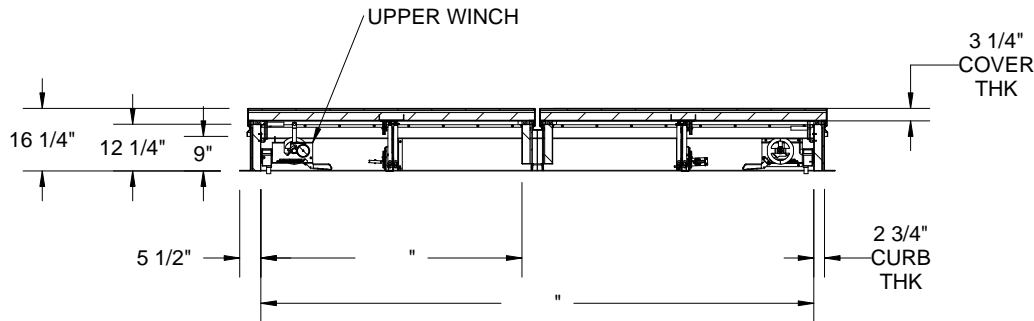
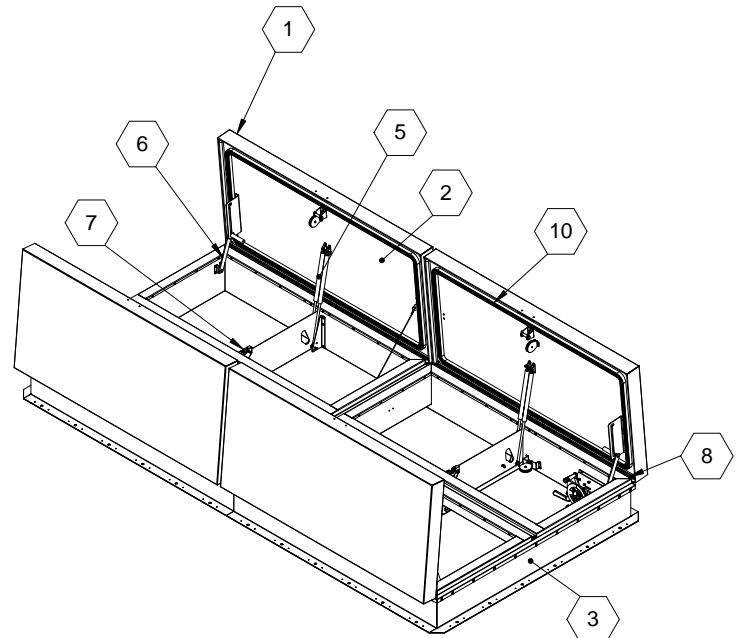
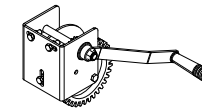


SECTION B-B



SECTION A-A

LOWER WINCH



**SPECIFICATIONS:**

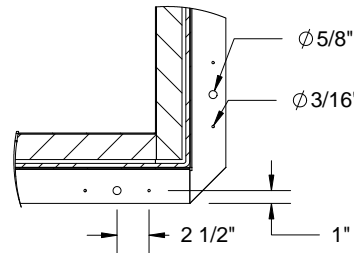
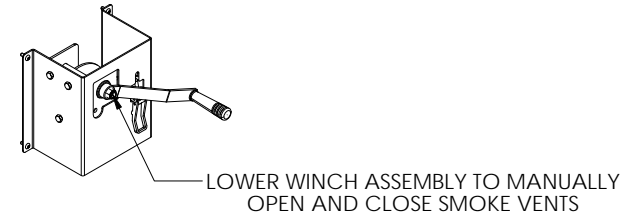
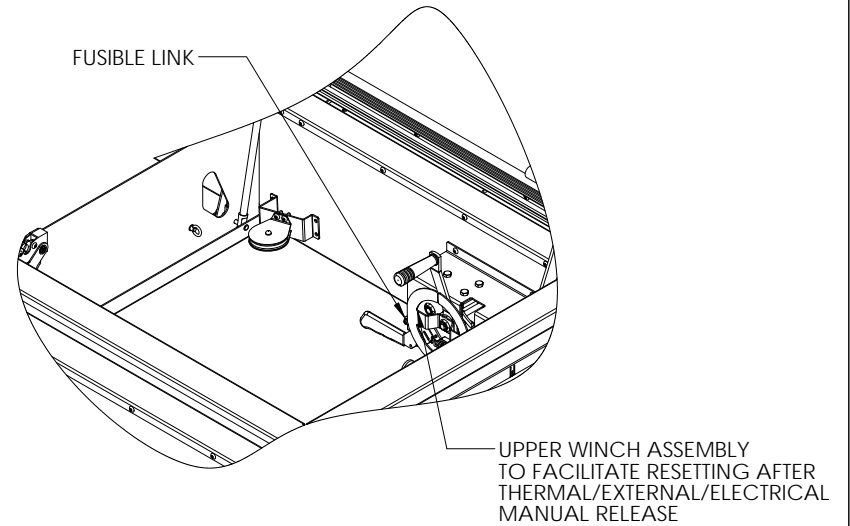
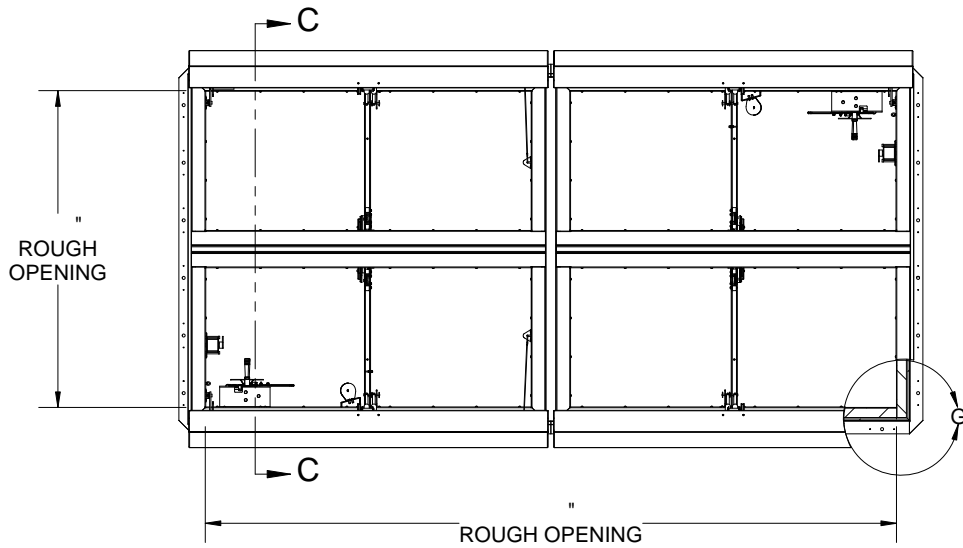
- ① **COVER:** 14 GAUGE GALVANNEAL COVER STIFFENED TO WITHSTAND A LIVE LOAD OF 40 PSF WITH A MAX DEFLECTION OF 1/150 OF THE SPAN
- ② **LINER:** 14 GAUGE GALVANNEAL
- ③ **CURB AND COUNTERFLASH W/ EZ TAB:** DBL WALL CURB, 14 GAUGE GALVANNEAL
- ④ **FINISH: COVER -** POWDER COAT, GRAY EXTERIOR, BLACK INTERIOR  
**CURB -** POWDER COAT, BLACK
- ⑤ **GAS SPRING WITH DAMPER:** DESIGNED TO OPEN AGAINST A 10PSF SNOW LOAD IN NOT LESS THAN 2 SECONDS
- ⑥ **HOLD OPEN ARM:** LOCKS COVER IN FULLY OPEN POSITION - ZINC PLATED STEEL
- ⑦ **LATCH:** ZINC PLATED ROTARY LATCH ASSEMBLY DESIGNED TO HOLD COVERS CLOSED AGAINST 90 PSF WIND UPLIFT ZINC PLATED STEEL LATCH STRIKERS ON COVERS
- ⑧ **HINGES:** 304 STAINLESS STEEL BUTT HINGE WITH 1/4" PIN
- ⑨ **INSULATION:** MINERAL WOOL W/ SOUND MAT, R-VALUE 10
- ⑩ **GASKETS:** ADHESIVE BACKED EPDM RUBBER EXTRUSION ON CURB AND COVER
- ⑪ **THERMAL RELEASE MECHANISM:** VENT COVERS OPEN THERMALLY BY HEAT AT FUSIBLE LINK TEMPERATURE 165F °F
- ⑫ **MANUAL OPERATION:** VENT COVERS OPEN WITH EXTERNAL MANUAL PULL HANDLE, 1/16" DIA SST CABLE AND VENT COVERS OPEN AND CLOSE WITH MANUAL WINCH, 100FT 1/8" DIA CABLE
- ⑬ **ELECTRICAL RELEASE:** VENT COVERS OPEN ELECTRICALLY WHEN ENERGIZED WITH 24VAC/VDC, REQUIRES RESET AT ROOF LEVEL
- ⑭ **BURGLAR BARS:** NONE
- ⑮ **SOUND RATING:** STC48 PER ASTM E90, OITC 36 PER ASTM E1332

**SMOKE VENT SIZE** "(WIDTH) x "(LENGTH)  
**EFFECTIVE VENTING AREA 80%**

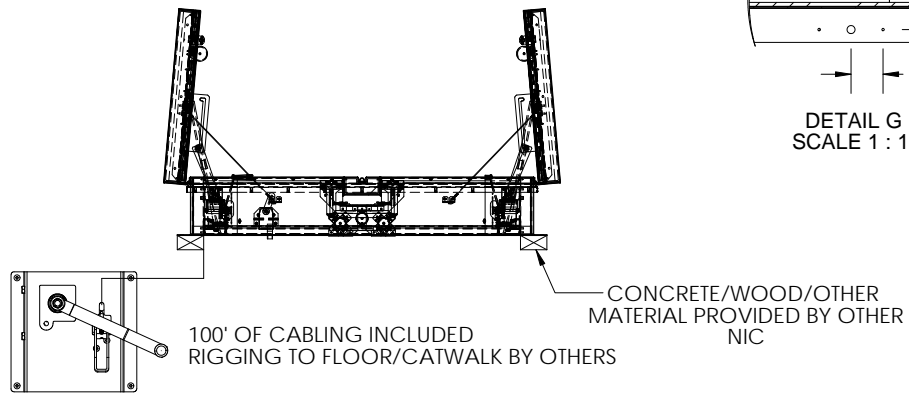


PROJECT:			
ARCHITECT:			
CONTRACTOR:			
QTY:			
PART#:			
 Right to site. 9300 73rd Avenue North Brooklyn Park, MN 55428		TITLE: Smoke Vent, Acoustical STC48,	
		Galvn Steel, Black Pwd, Gray Pwd Cvr Ext, Dbl Wall Curb,	
NAME	DATE	SIZE	DWG. NO.
ELW	4/15/14	A	
RELEASED	ELW	4/15/14	WEIGHT: VARIES

PROPRIETARY AND CONFIDENTIAL: THE INFORMATION CONTAINED IN THIS DRAWING IS THE SOLE PROPERTY OF NYSTROM. ANY REPRODUCTION IN PART OR AS A WHOLE WITHOUT THE WRITTEN PERMISSION OF NYSTROM IS PROHIBITED.



DETAIL G  
SCALE 1 : 15



**SECTION C-C**

**NYSTROM**

Right to site.  
9300 73rd Avenue North  
Brooklyn Park, MN 55428

TITLE: Smoke Vent, Acoustical STC48,

Galvn Steel, Black Pwd, Gray Pwd Cvr Ext, Dbl  
Wall Curb,

	NAME	DATE	SIZE	DWG. NO.	REV
DRAWN	ELW	4/15/14	A		A
RELEASED	ELW	4/15/14		WEIGHT: VARIES	SHEET 2 OF 2