

9300 73rd Ave N.  
Brooklyn Park, MN 55428

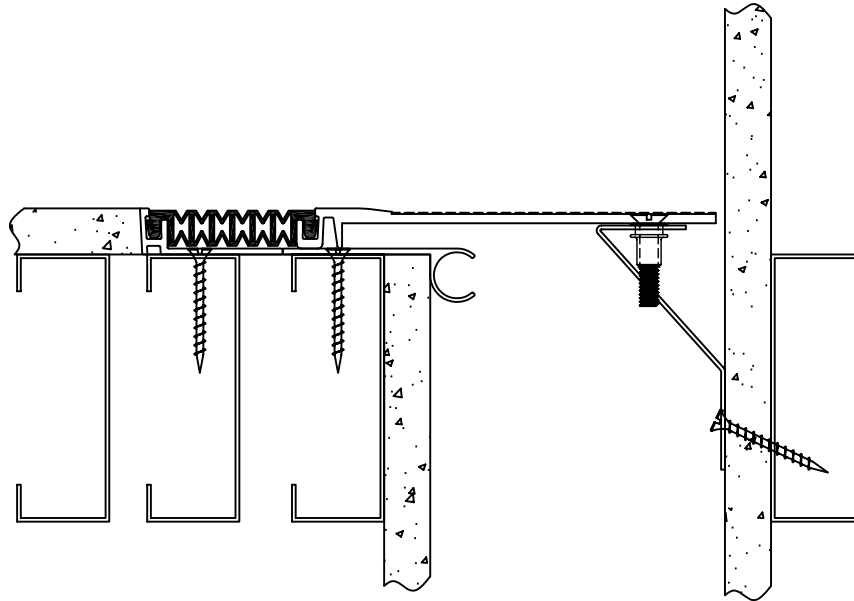
Toll-Free: 800-547-2635  
Fax 800-317-8770



Right to site.

Direct Phone: 763-488-9200  
Direct Fax: 763-488-9201

e-mail: [Info@nystrom.com](mailto:Info@nystrom.com)  
Internet: [www.nystrom.com](http://www.nystrom.com)



## Seismic Plus – Professional Series Model(s) "EJ-SWNB-400W thru 2400W" Vertical Expansion Control Systems

The following installation procedure is very important and must be fully understood prior to beginning any work. To ensure proper installation and performance of expansion joint system the following actions must be completed by the installing contractor. Failure to do so will affect product warranty.

- 1) Carefully read and understand installation procedure. Contact Technical Service Department for product assistance.
- 2) Inspect all shipments and materials for missing or damaged components and hardware. Contact Customer Service with order number and invoice for prompt assistance.
- 3) Inspect substrate or adjacent construction for acceptance before beginning work. Report unacceptable construction to the project manager for scheduled repair work.

PN: N20151

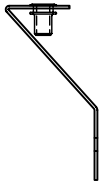
# Standard Components



Elastomeric Seal  
P/n: 15340 (Black)  
P/n: 15341 (Beige)  
P/n: 15342 (Grey)



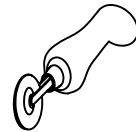
Aluminum Base Extrusion  
P/n: 15244



Corner Bracket  
P/n: 20661

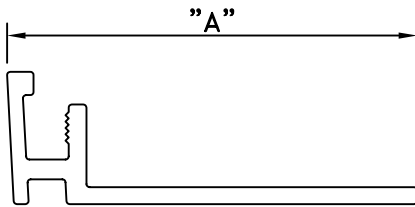


1/4" X 1 1/4" Lg Screw  
P/n: 5621



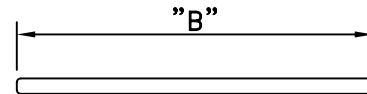
Rolling Tool  
P/n: 15577

Components shown below vary in size depending on model of system



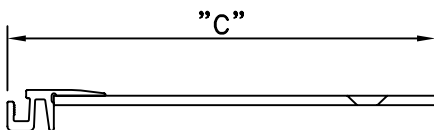
Aluminum Edge Extension  
(Refer to Chart Below for sizes and P/n)

Model	P/N	"A"
EJ-SWNB-400W	15800	1 15/16"
EJ-SWNB-600W/800W	15801	2 15/16"
EJ-SWNB-1000W/1200W/1800W/2400W	15802	3 15/16"



Aluminum Filler Panel  
(Refer to Chart Below for sizes and P/n)

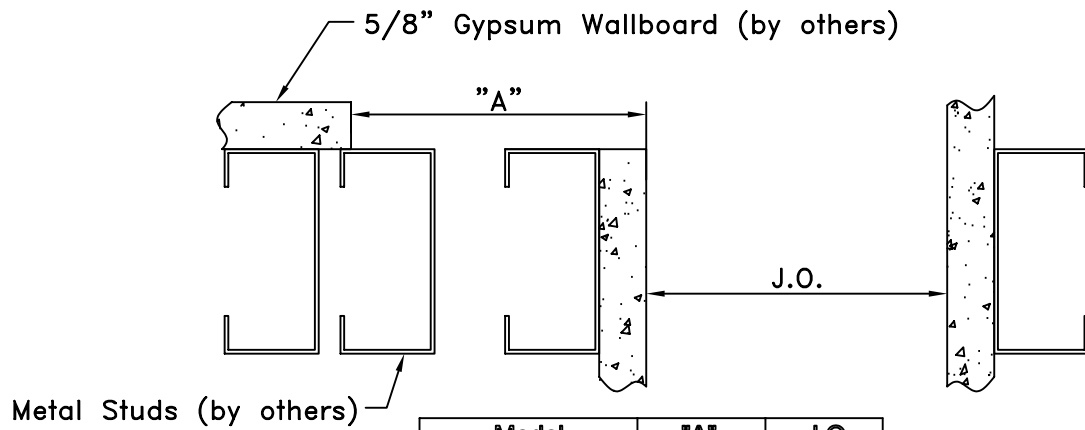
Model	P/N	"B"
EJ-SWNB-1800W	15781	2 3/4"
EJ-SWNB-2400W	15782	4 1/4"



Aluminum Slide Plate  
(Refer to Chart at right for sizes and P/n)

Model	P/N	"C"
EJ-SWNB-400W	15791	7 5/8"
EJ-SWNB-600W	15792	11 5/8"
EJ-SWNB-800W	15793	13 5/8"
EJ-SWNB-1000W	15795	17 5/8"
EJ-SWNB-1200W	15796	19 5/8"
EJ-SWNB-1800W	15797	29 1/8"
EJ-SWNB-2400W	15798	38 1/8"

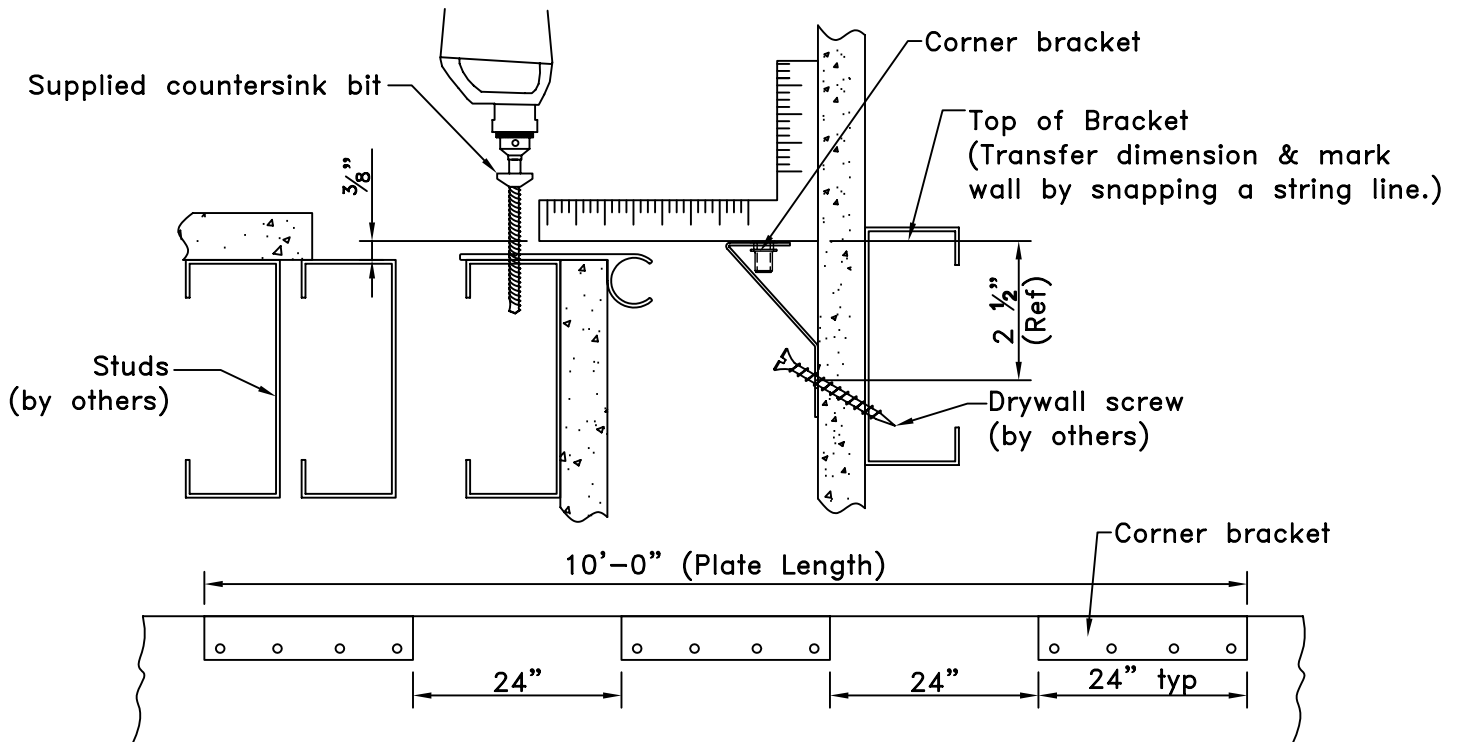
# Installation Procedure



Model	"A"	J.O.
EJ-SWNB-400W	3 15/16"	4"
EJ-SWNB-600W	4 15/16"	6"
EJ-SWNB-800W	4 15/16"	8"
EJ-SWNB-1000W	5 15/16"	10"
EJ-SWNB-1200W	5 15/16"	12"
EJ-SWNB-1800W	7 11/16"	18"
EJ-SWNB-2400W	9 3/16"	24"

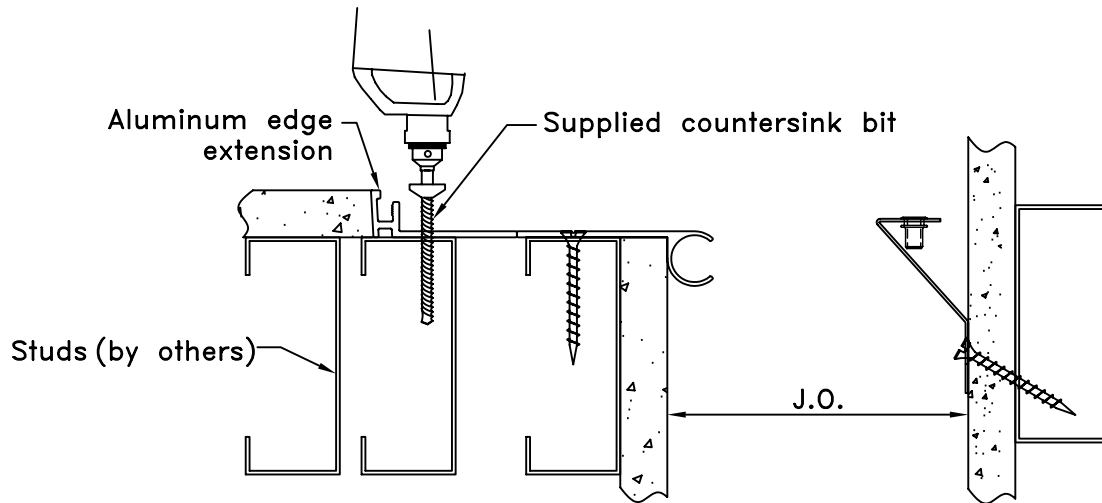
1

Prior to beginning work, installer shall inspect for proper wall construction. Verify joint opening is as called for on chart.  
**Note:** Non-Rated wall detail shown above. For rated wall installations, contact project architect to ensure that wall has been properly designed to maintain rating to accept Expansion Joint and Fire Barrier Systems.



2

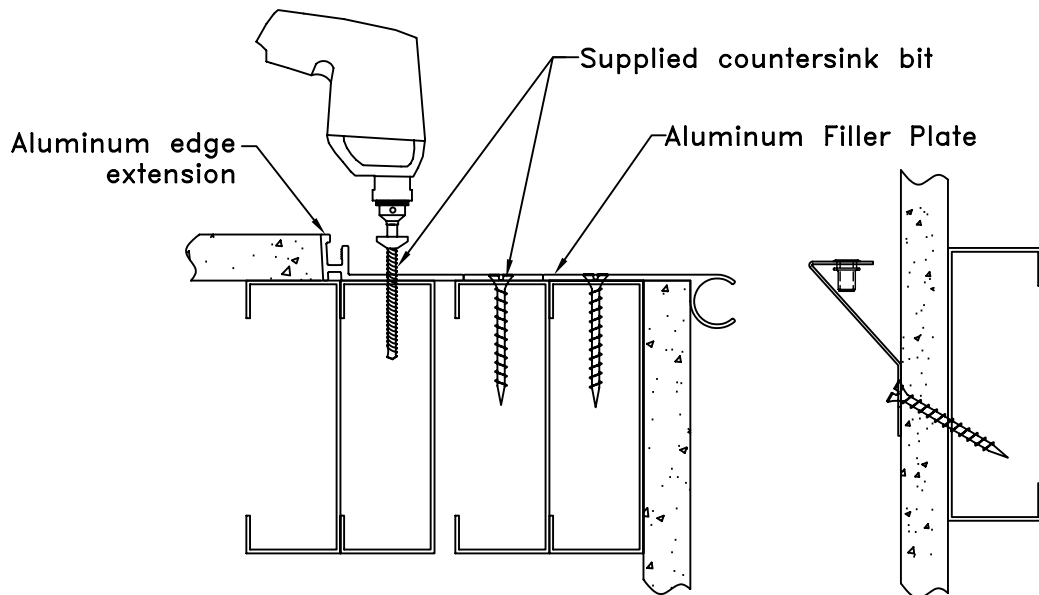
**Corner** – For ease of installation locate corner bracket first. Drill to wall construction and stud. Utilizing drywall screws (by others) mount Corner Bracket to wall with minimum (4) screws per corner bracket. Place aluminum base extrusion on edge of opening as shown. Utilizing supplied countersink bit, drill through base extrusion at gauge line into stud. Fasten with drywall screws (by others) spaced at 24" O.C. maximum, start 12" from ends.  
**Note:** Corner Bracket supplied in 24" lengths. For a standard ten foot plate section (3) Corner brackets are required.



EJ-SWNB-400W thru EJ-SWNB-1200W

3

Place aluminum edge extension flush with the edge of aluminum base extrusion as shown. Utilizing supplied countersink bit, drill through extrusion and into stud. Fasten with drywall screws (by others) spaced at 24" O.C. maximum, start 12" from ends.



EJ-SWNB-1800W thru EJ-SWNB-2400W

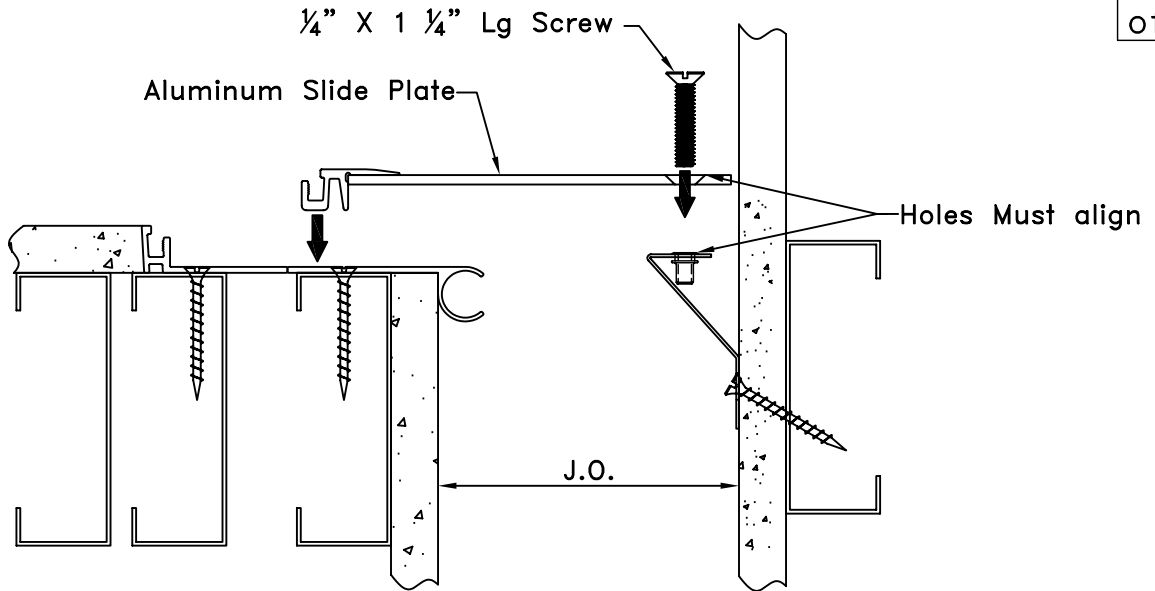
3A

Filler Plate:

On EJ-SWNB-1800W thru EJ-SWNB-2400W systems, before aluminum edge extension can be installed, filler plates must be inserted flush with the edge of aluminum base extrusion as shown above. Utilizing supplied countersink bit, drill through extrusion and into stud. Fasten with drywall screws (by others) spaced at 24" O.C. maximum, start 12" from ends.

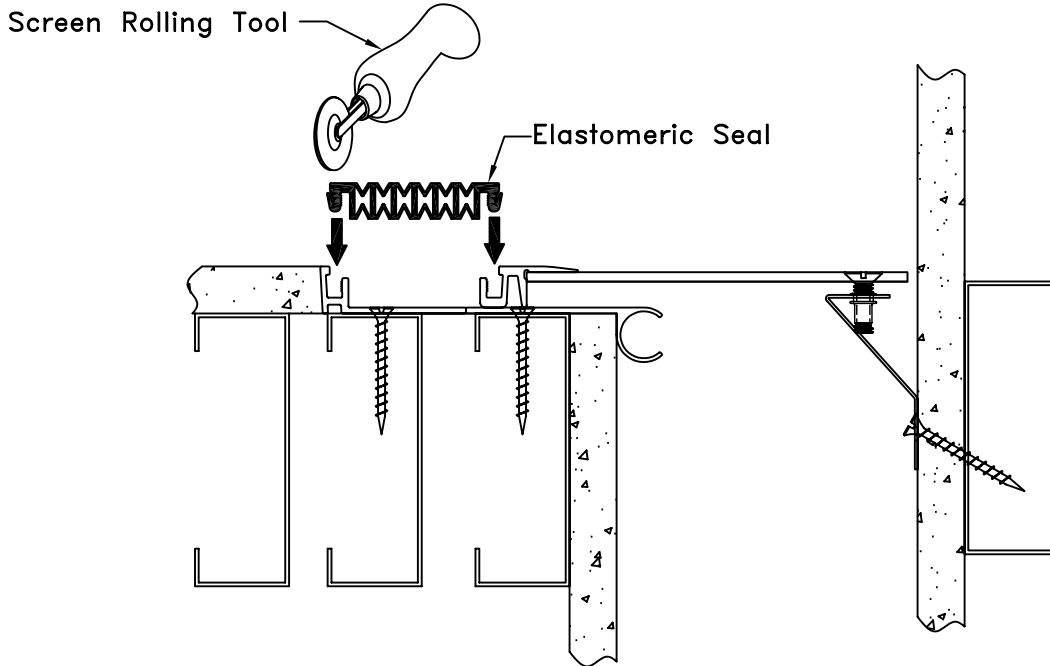
Aluminum Edge Extension:

After filler plate has been installed, place aluminum edge extension flush with the edge of filler plate as shown above. Utilizing supplied countersink bit, drill through extrusion and into stud. Fasten with drywall screws (by others) spaced at 24" O.C. maximum, start 12" from ends.



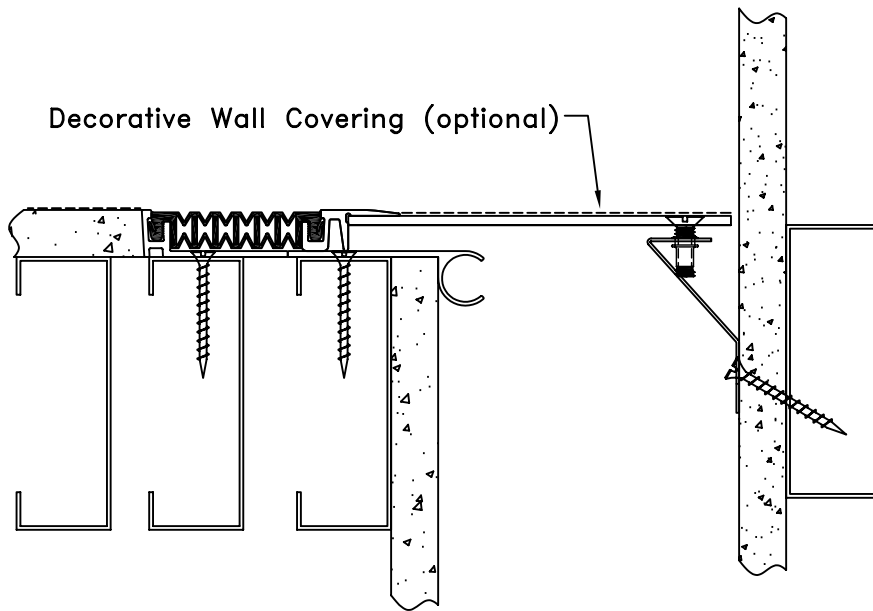
4

Position Slide Plate over expansion opening, Align pre-drilled holes in slide plate with threaded insert in Corner Bracket. Fasten with  $\frac{1}{4}$ " X  $1 \frac{1}{4}$ " Csk Flat Screw. Tighten to create measurable tension.



5

Position seal lug over extrusion cavity and insert lug into cavity using thumb pressure for initial insertion. Once elastomeric seal is inserted, run along top of lug with screen rolling tool to ensure complete lug insertion.



- 6** Optional: Wipe down aluminum slide plate to remove dust particles prior to applying decorative wall covering materials.  
Caution: Contact Wall Covering Materials Manufacturer to discuss product application and procedure for proper installation. Screw heads should be covered with tape to avoid slot in screw head from telegraphing through wall covering.