

8

7

6

5

4

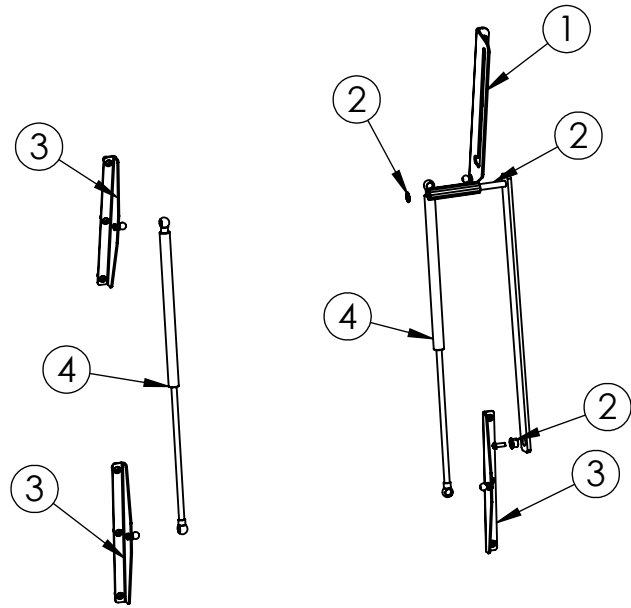
3

2

1

ROOF HATCH KITS	
DETAIL	DESCRIPTION
①	HOA/SPRING
②	COVER LATCH
③	LATCH CATCH
④	HINGE
⑤	GASKET

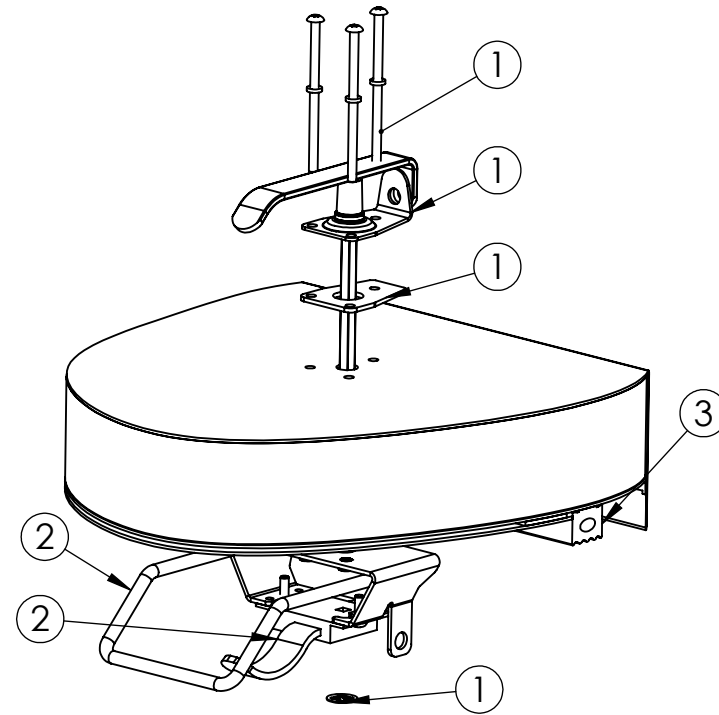
D



REPLACEMENT HOA/SPRING

ITEM	REPLACEMENT KIT #	OEM PART #	DESCRIPTION
①	RHT-KIT-HOACOVER	29940	PKG, HOA COVER BRACKET
②	RHT-KIT-HOACURB	30410	PKG, HOA AND HARDWARE
③	RHT-KIT-SPRINGBRKT	30623	PKG, SPRING BRACKET
④	RHP11-KIT-SPRING-150	30628	PKG, 150N SPRING
④	RHP11-KIT-SPRING-250	29880	PKG, 250N SPRING
④	RHP11-KIT-SPRING-500	29881	PKG, 500N SPRING
④	RHP11-KIT-SPRING-600	30269	PKG, 600N SPRING

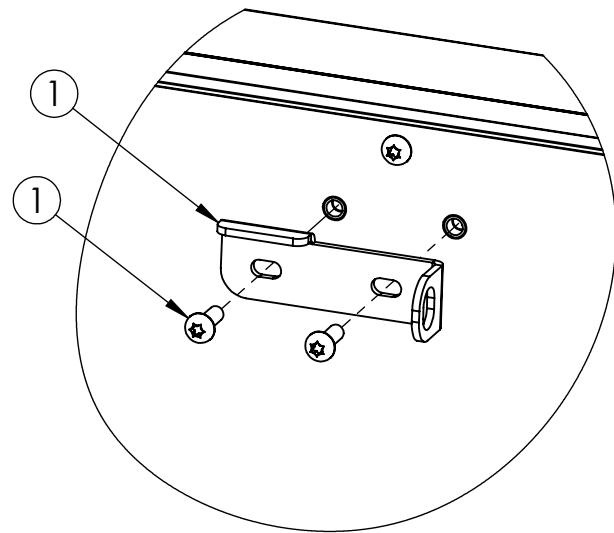
C



REPLACEMENT COVER LATCH/GASKET

ITEM	REPLACEMENT KIT #	OEM PART #	DESCRIPTION
①	RHT-KIT-EXTHDL	30303	PKG, EXTERIOR TURN HANDLE
②	RHT-KIT-INTHDL	29914	PKG, INTERIOR TURN HANDLE
③	RHT-KIT-GASKET	29527	PKG, GASKET

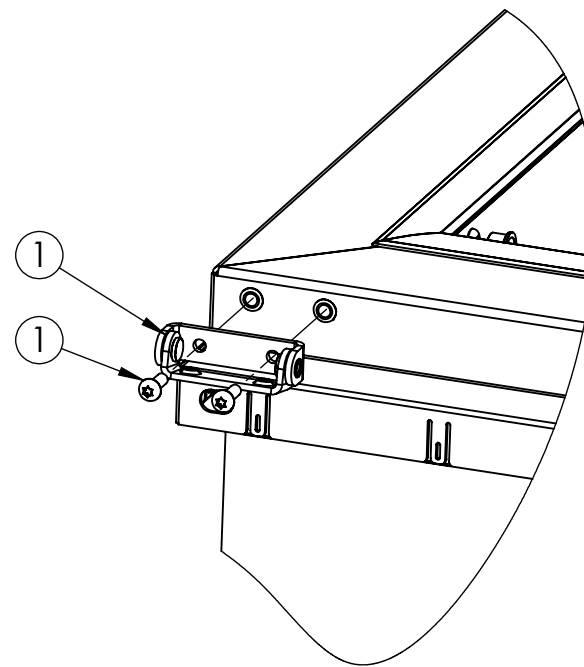
B



REPLACEMENT LATCH CATCH

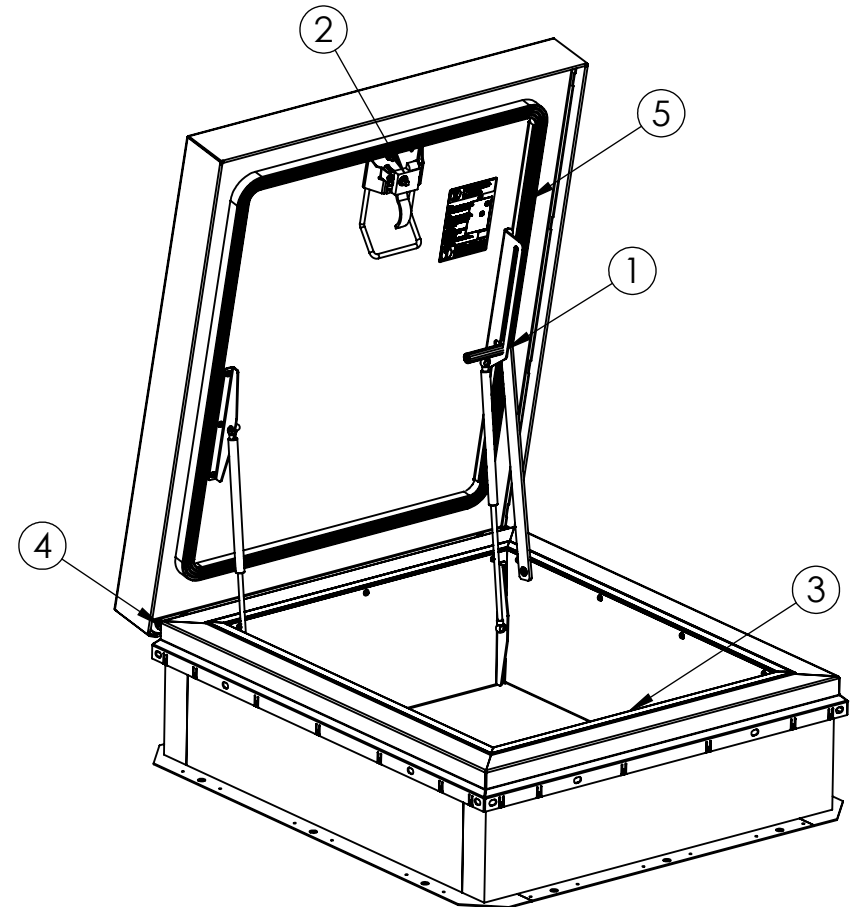
ITEM	REPLACEMENT KIT #	OEM PART #	DESCRIPTION
①	RHT-KIT-CATCH	29936	PKG, LATCH CATCH

A



REPLACEMENT HINGE

ITEM	REPLACEMENT KIT #	OEM PART #	DESCRIPTION
①	RHT-KIT-HINGE	29941	PKG, HINGE



9300 73rd Avenue North  
Minneapolis, MN 55428

TITLE:  
ROOF HATCH,  
THERMALLY BROKEN,  
REPLACEMENT COMPONENTS

NAME	DATE
DRAWN AMB	3/19/2021
RELEASED AMB	3/22/2021

SIZE	DWG. NO.	REV
B	RETRO-FIT KITS	-

PROPRIETARY AND CONFIDENTIAL: THE INFORMATION CONTAINED IN THIS DRAWING IS THE SOLE PROPERTY OF NYSTROM. ANY REPRODUCTION IN PART OR AS A WHOLE WITHOUT THE WRITTEN PERMISSION OF NYSTROM IS PROHIBITED.  
©2020 NYSTROM, INC.

WEIGHT: VARIES SHEET 2 OF 3

8

7

6

5

4

3

2

1

8

7

6

5

4

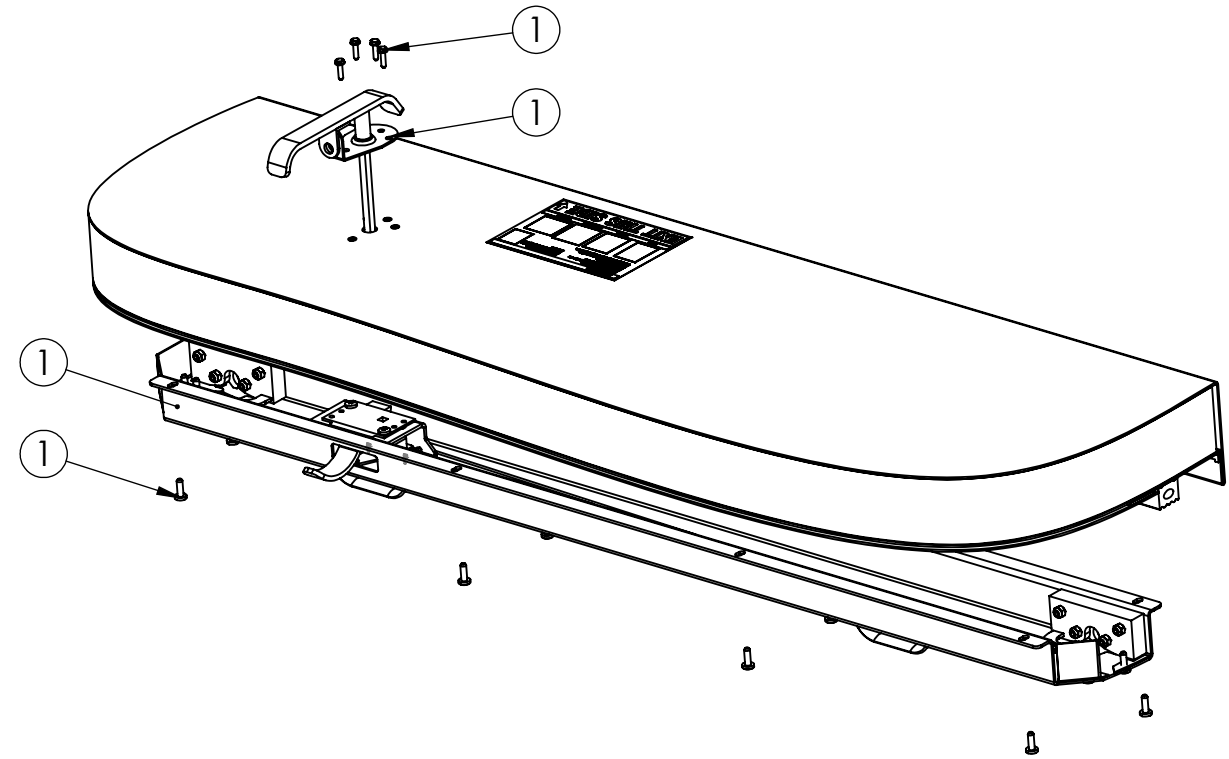
3

2

1

ROOF HATCH KITS	
DETAIL	DESCRIPTION
①	COVER LATCH
②	LATCH CATCH

D

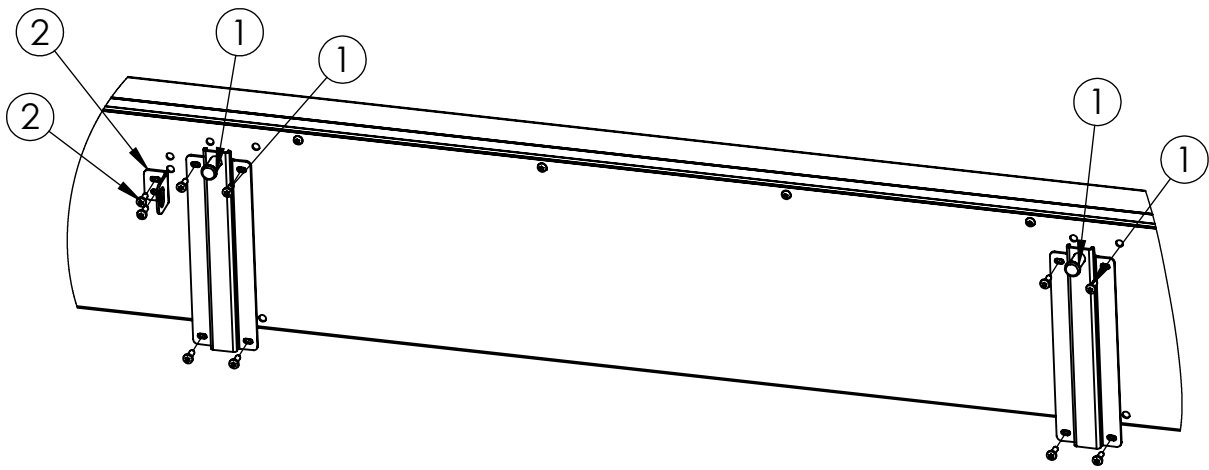


C

REPLACEMENT 2 POINT COVER LATCH

ITEM	REPLACEMENT KIT #	OEM PART #	DESCRIPTION
①	RHT-KIT-2PTLATCH	28912	PKG, TWO POINT LATCH

B



A

REPLACEMENT 2 POINT LATCH CATCH

ITEM	REPLACEMENT KIT #	OEM PART #	DESCRIPTION
①	RHT-KIT-2PTCATCH	28904	PKG, TWO POINT LATCH CATCHES
②	RHT-KIT-HASP	29675	PKG, PADLOCK HASP

PROPRIETARY AND CONFIDENTIAL: THE INFORMATION CONTAINED IN THIS DRAWING IS THE SOLE PROPERTY OF NYSTROM. ANY REPRODUCTION IN PART OR AS A WHOLE WITHOUT THE WRITTEN PERMISSION OF NYSTROM IS PROHIBITED.  
©2020 NYSTROM, INC.

8

7

6

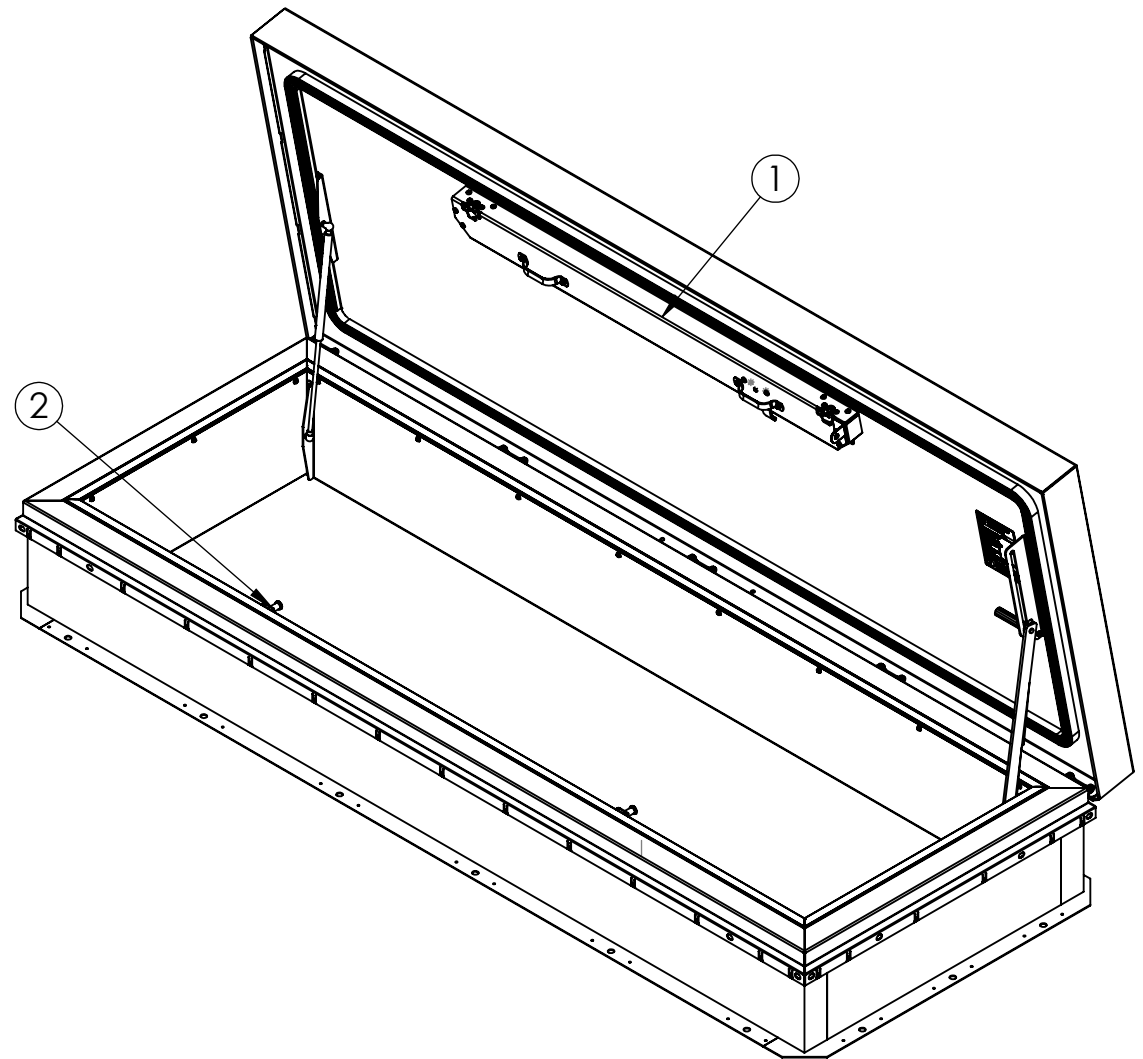
5

4

3

2

1



D

C

B

A

	TITLE:		ROOF HATCH, THERMALLY BROKEN, REPLACEMENT COMPONENTS	
	9300 73rd Avenue North Minneapolis, MN 55428		SIZE	DWG. NO.
DRAWN	AMB	3/19/2021	<b>B</b> RETRO-FIT KITS	-
RELEASED	AMB	3/22/2021		
WEIGHT: VARIES			SHEET 3 OF 3	

8

7

6

5

4

3

2

1