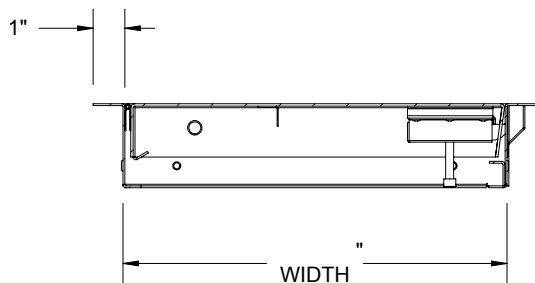


SECTION A-A



SECTION B-B

ROUGH OPENING: " X " "  
 CLEAR OPENING: " X " "  
 DEGREE OF OPENING: ° X " "

VERTICAL  
 1-1/2 HOUR "B" LABEL



NOTES:

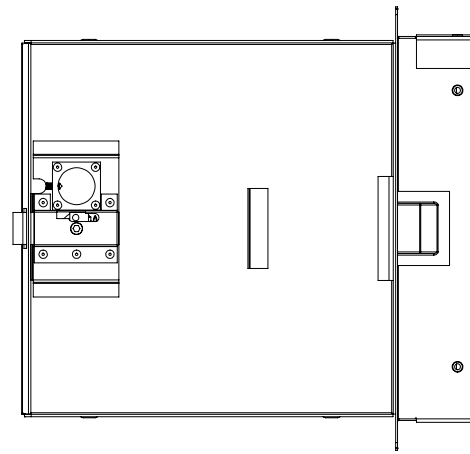
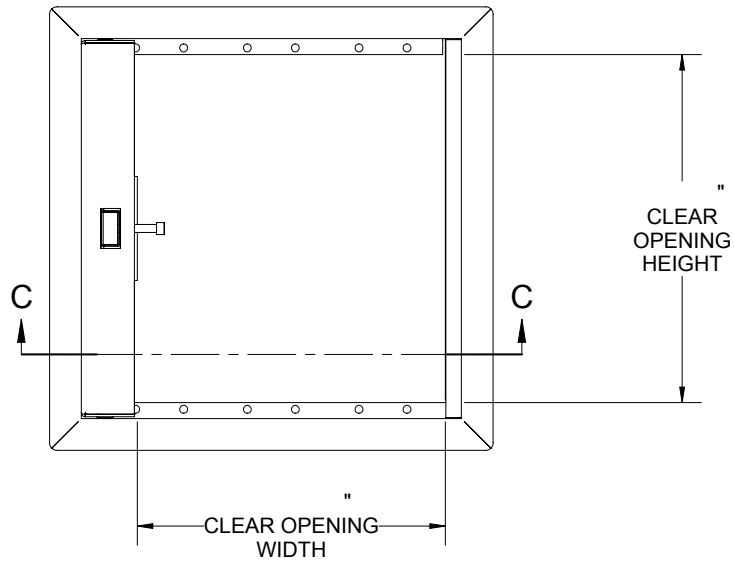
- ① FRAME:
- ② DOOR:
- ③ FINISH:
- ④ HINGE:
- ⑤ SECONDARY LATCH:
- ⑥ LOCK: Knurled Knob/Keyed Slam Latch

PROPRIETARY AND CONFIDENTIAL: THE INFORMATION CONTAINED IN THIS DRAWING IS THE SOLE PROPERTY OF NYSTROM. ANY REPRODUCTION IN PART OR AS A WHOLE WITHOUT THE WRITTEN PERMISSION OF NYSTROM IS PROHIBITED.

|   |      |                |              |
|---|------|----------------|--------------|
| PROJECT:  |      |                |              |
| ARCHITECT:  |      |                |              |
| CONTRACTOR:   |      |                |              |
| QTY:  |      |                |              |
| PART#:  |      |                |              |
| <br>9300 73rd Avenue North<br>Minneapolis, MN 55428 |      | TITLE:         |              |
|   |      |                |              |
| NAME  | DATE | SIZE           | DWG. NO.     |
| DRAWN   |      | A              |              |
| RELEASED  |      | WEIGHT: VARIES | SHEET 1 OF 2 |

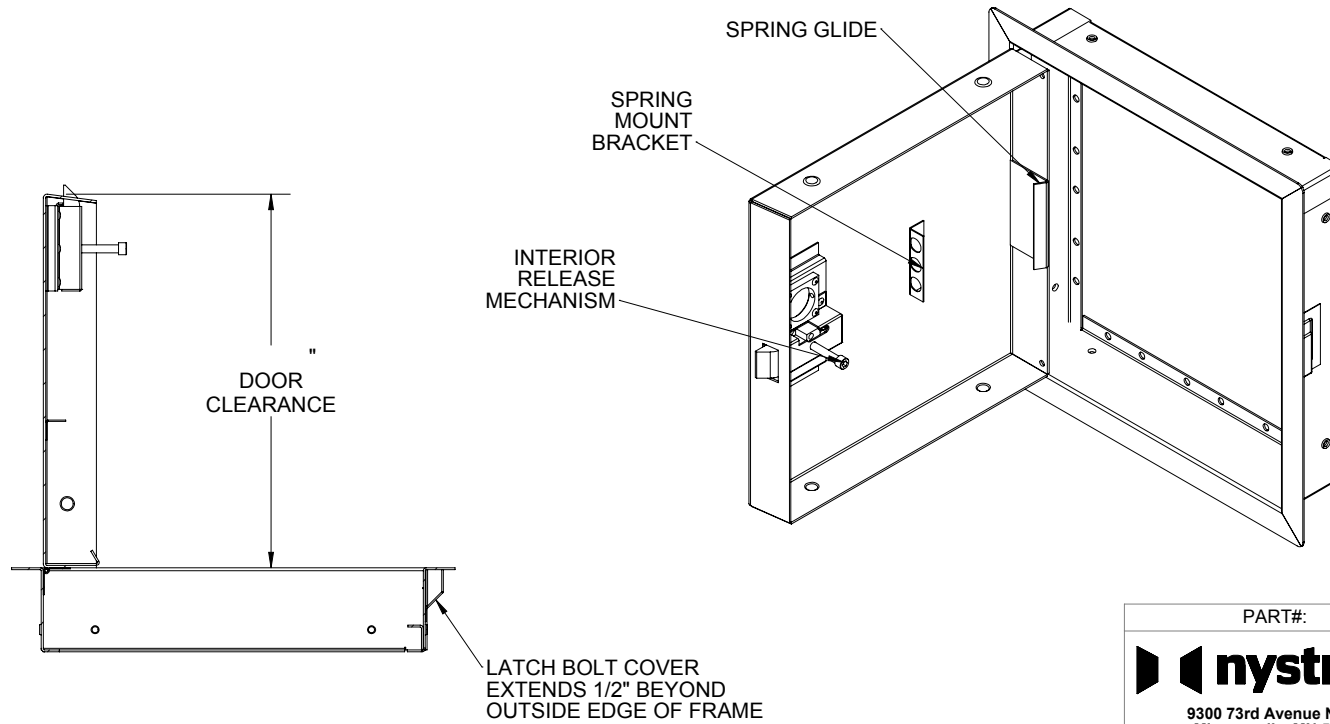
B

B



A

A



|                |      |   |          |              |
|----------------|------|---|----------|--------------|
| PART#:         |      | TITLE:  |          |              |
| <b>nystrom</b> |      | 9300 73rd Avenue North<br>Minneapolis, MN 55428 |          |              |
| NAME           | DATE | SIZE  | DWG. NO. | REV          |
| DRAWN          |      | A   |          | -            |
| RELEASED       |      | WEIGHT: VARIES                                  |          | SHEET 2 OF 2 |