



# Stainless Steel

## WALL COVERING

Nystrom's Architectural Stainless Steel Wall Covering can be used in a wide variety of applications. This sturdy wall covering is available in various thicknesses and 10 embossed patterns, or a classy satin finish. These metal sheets can be added to walls, doors, and cabinetry in virtually any facility.

### ORDER GUIDE

MODEL	THICKNESS	SIZE	OPTIONS
<b>WCS</b>			-
	<b>16</b> 16 Gauge	<b>S4X8</b> 4" x 8" Sheet	<b>DHS</b> Drilled Holes & Hardware
	<b>18</b> 18 Gauge	<b>S4X10</b> 4' x 10' Sheet	<b>DHC</b> Countersunk Holes & Hardware
	<b>14</b> 14 Gauge		

### DETAILS

**MATERIAL** 16 Gauge, Type 304 Stainless Steel

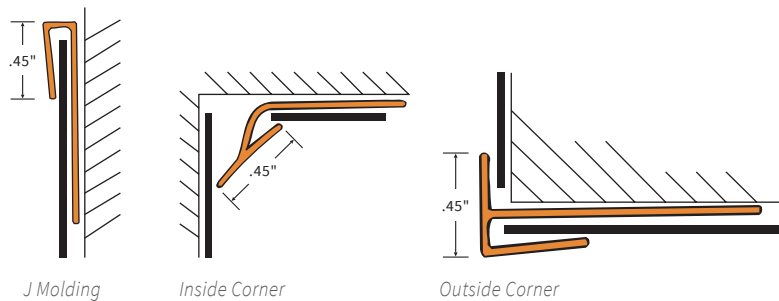
**FINISH** #4 Satin or Embossed

**MOUNTING** Surface

**MOUNTING METHOD** Mechanical

### SIZE

- 4 feet by 8 feet
- 4 feet by 10 feet



# Vinyl

## WALL COVERING

Nystrom's Vinyl Wall Covering can be used in a wide variety of applications. This sturdy wall covering is available in various thicknesses and 70 color options with a classic embossed pattern.

### ORDER GUIDE

MODEL	THICKNESS	SIZE	ACCESSORIES
<b>WCV</b>			-
<b>030</b>	.030"	Sheet	Trim Molding
<b>040</b>	.040"	<b>S4X8</b> 4" x 8" Sheet	<b>MJM1</b> J-Molding
<b>060</b>	.060"	<b>S4X10</b> 4' x 10' Sheet	<b>MIC1</b> Inside Corner Molding
<b>080</b>	.080"	Roll <sup>1</sup>	<b>MOC1</b> Outside Corner Molding
<b>090</b>	.090"	<b>R2X120</b> 2' x 120"	<b>MDB1</b> Divider Bar - .028" and .04" thickness only
<b>125</b>	.125"	<b>R3X120</b> 3' x 120"	
		<b>R4X120</b> 4' x 120"	
			<b>CMC</b> Color Match Caulk
			<b>HPROLLER</b> Heavy Pressure Roller
			Adhesives
			<b>ADF1</b> #M Fastbond Contact Cement (1 Gallon)
			<b>ADF5</b> #M Fastbond Contact Cement (5 Gallon)
			<b>ADM1</b> Super Tek XT-2000 Mastic (1 Gallon)
			<b>ADM5</b> Super Tek XT-2000 Mastic (5 Gallon)
			<b>ADSL</b> Spray Lock Adhesive (22 oz Can)
			Substrate Sealer
			<b>DS1</b> Dry-Seal Substrate Sealer (1 Gallon)
			<b>DS55</b> Dry-Seal Substrate Sealer (5 Gallon)

<sup>1</sup> Roll only available on .030 inch and .040 inch thick sheets.

<sup>2</sup> .125 inch thick sheet is unrated.

### DETAILS

**MATERIAL** Vinyl

**FINISH** Embossed

**MOUNTING** Surface

**MOUNTING METHOD** Adhesive

### SIZE

- 4 feet by 8 feet
- 4 feet by 10 feet

### MATERIAL



Vinyl