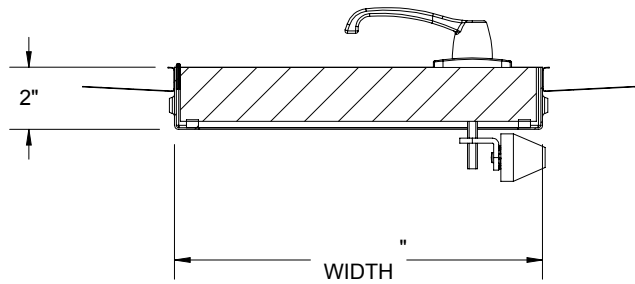


SECTION A-A



SECTION B-B

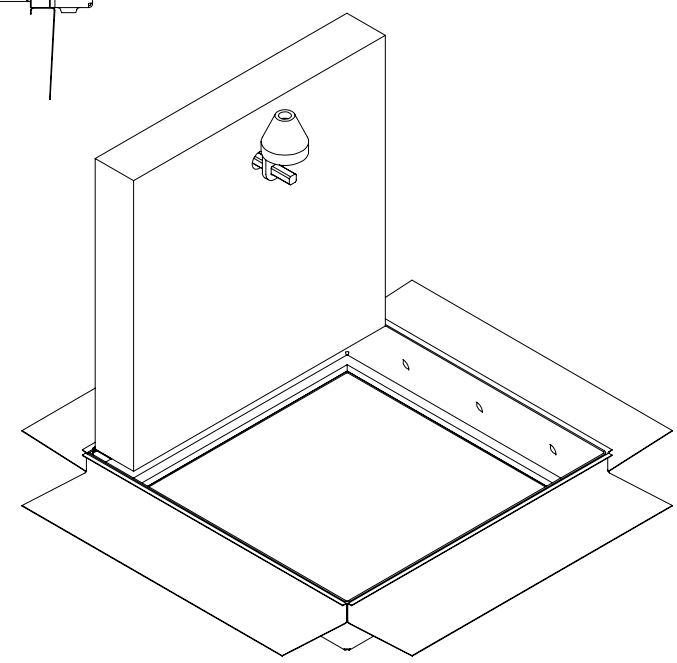
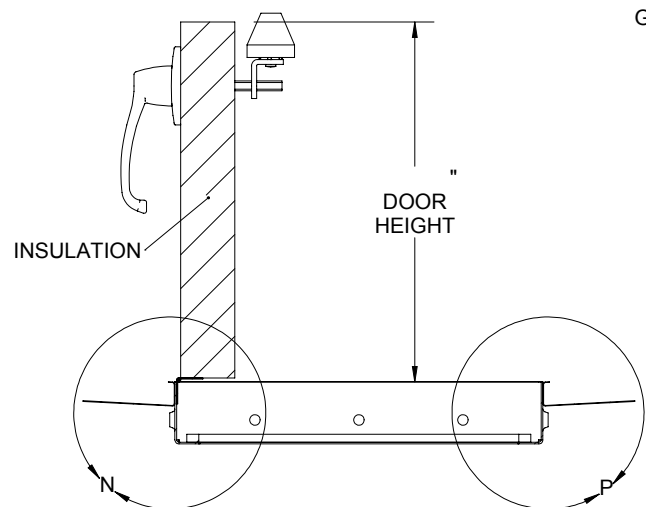
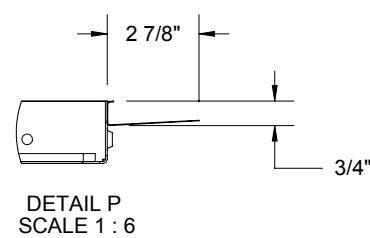
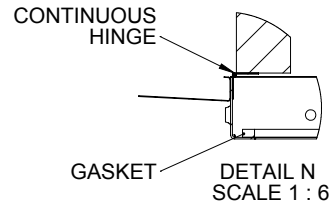
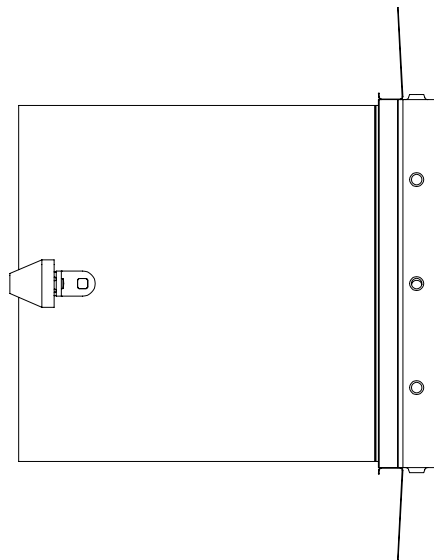
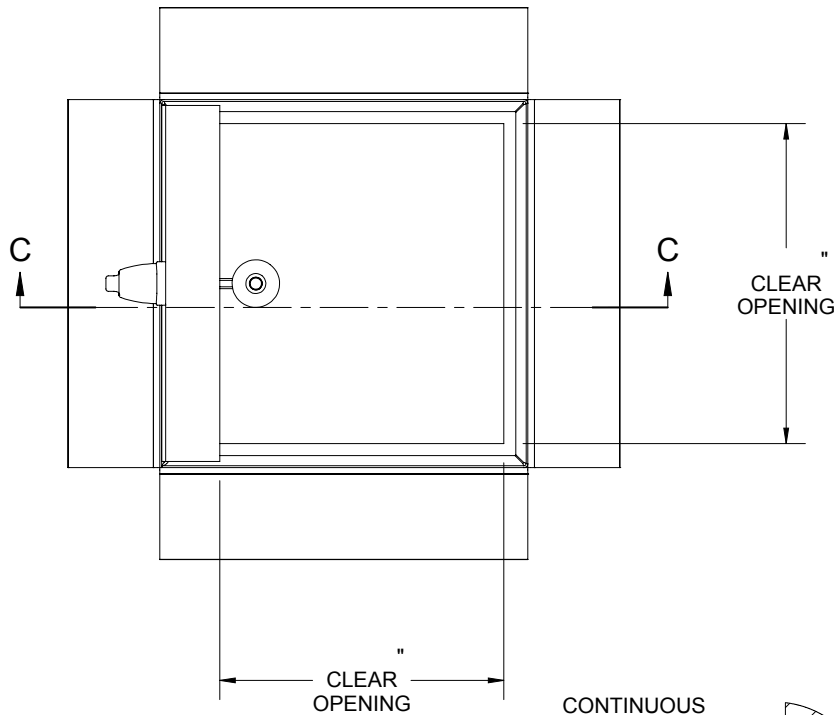
ROUGH OPENING: " X "
 CLEAR OPENING: " X "
 DEGREE OF OPENING: °
 # LATCHING POINTS:

NOTES:

- ① **FRAME:** 16Ga GALV G90 Steel, Plaster Bead
- ② **DOOR:**
- ③ **HINGE:**
- ④ **GASKET:** Self-adhesive Closed Cell Foam Tape
- ⑤ **INSULATION:** Foam Insulation, 2-1/4lb Density, 12 R-Value
- ⑥ **LATCH:** Non-Locking Handle

PROPRIETARY AND CONFIDENTIAL: THE INFORMATION CONTAINED IN THIS DRAWING IS THE SOLE PROPERTY OF NYSTROM. ANY REPRODUCTION IN PART OR AS A WHOLE WITHOUT THE WRITTEN PERMISSION OF NYSTROM IS PROHIBITED.

PROJECT:			
ARCHITECT:			
CONTRACTOR:			
QTY:			
PART#:			
 9300 73rd Avenue North Minneapolis, MN 55428		TITLE:	
NAME	DATE	SIZE	DWG. NO.
DRAWN		A	
RELEASED		WEIGHT: VARIES	SHEET 1 OF 2



PROPRIETARY AND CONFIDENTIAL: THE INFORMATION CONTAINED IN THIS DRAWING IS THE SOLE PROPERTY OF NYSTROM. ANY REPRODUCTION IN PART OR AS A WHOLE WITHOUT THE WRITTEN PERMISSION OF NYSTROM IS PROHIBITED.

PART#:		TITLE:			
nystrom		9300 73rd Avenue North Minneapolis, MN 55428			
NAME	DATE	SIZE	DWG. NO.	REV	
DRAWN		A		A	
RELEASED		WEIGHT: VARIES		SHEET 2 OF 2	