

VINYL CORNER GUARD

Model(s): CGV-P

GENERAL DESCRIPTION



Vinyl Corner Guards are an attractive and durable solution to unsightly, damaged corners. Backed by a limited five-year warranty, Nystrom's Corner Guards are available in 70 colors, is Class A fire-rated and meet national building code standards.

Introduction + Safety

Please read the complete instructions carefully before beginning any work. To ensure proper installation and performance of the product, the following actions must be completed by the installing contractor. Failure to do so will affect product warranty.

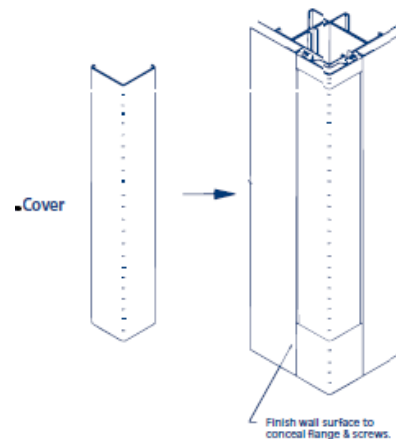
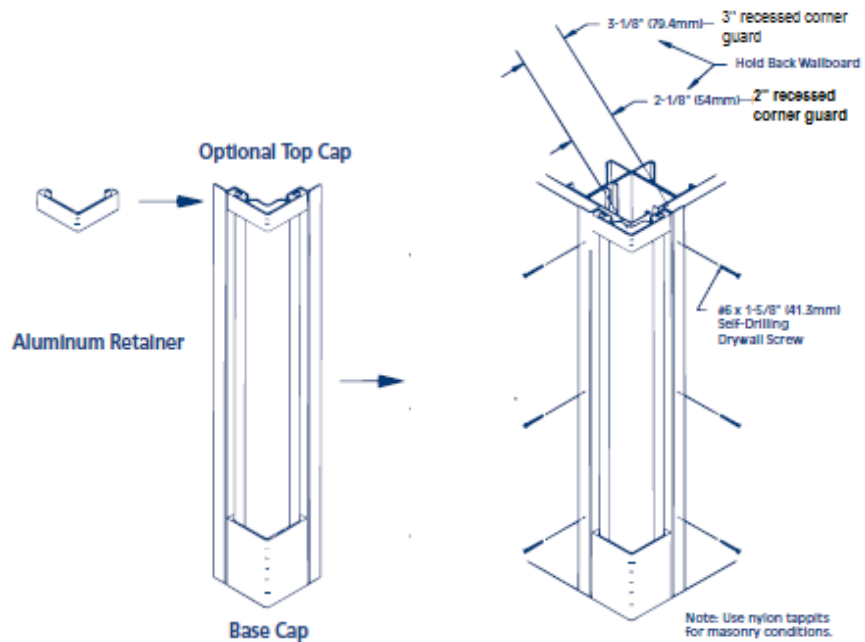
GENERAL SAFETY PRECAUTIONS Improper selection, installation, or use can cause personal injury or property damage. It is solely the responsibility of the user, through its own analysis to select products suitable for their specific application requirements, ensure they are properly maintained, and limit their use to its intended purpose. Follow proper local, state and federal regulations for proper installation and operation requirements.

Transportation + Storage

- Inspect all shipments and materials for missing or damaged components and hardware.
- Material must be stored in a clean, dry location.

INSTALLATION

1. Cut retainer (with base attached) to full height. Install optional top cap clinching in place at top of retainer. Attach continuous retainer unit to corner using appropriate fasteners at 18" O.C. maximum.
2. Finish walls to specification, taping, and spackling over retainer flanges. Install wallcovering or paint as specified.
3. Snap precut cover in position. Cover should be lipped over one edge and pressure applied toward opposite leg from center with a "snap action" movement. Procedure should begin at bottom and be repeated as necessary for full height of cover.
4. Contact your Nystrom representative for information on replacement parts.



OPERATION

Vinyl Corner Guards are designed for years of wall protection. Perform annual inspections to ensure proper fitment and performance.

MAINTENANCE

1. Use mild detergent to clean soiled surfaces. Pen marks, paint and graffiti generally wash off easily with mild soap and water. Completely rinse the surface with clean water when complete.

Note: Powdered cleansers and bleach cleaners should be used with care as they may leave a residue embedded in the cover surface. Properly rinsing with clean water will remove any residual residue.

2. Tough marks or stains may require a heavy-duty cleaner such as “Crown Anti-Vandal Spray” or “DWR-II”. These specialized spot cleaners should only be used on small areas and tested for color fastness prior to applying in a highly visible area. Rinse thoroughly with clean water to remove the residue from these cleaners.

QUESTIONS?

For more information on installation, repair or replacement, please visit www.Nystrom.com.